

Primary Clutch/Brake Pin Drive, Spline Drive PCB-825, PCB-1000, PCB-1225 Primary Clutch/Brake Coupling PCBC-825, PCBC-1000, PCBC-1225

P-205
819-0474

Installation Instructions



Contents

Installation Instructions	
PCB-825, PCB-1000, PCB-1225	3
Pin Drive Armature	
PCB-825, PCB-1000, PCB-1225	8
Spline Drive Armatures	
PCBC-825, PCBC-1000, PCBC-1225	9
Coil Data	14
Burnishing and Maintenance	14-15
Illustration Drawings	
PCB-825, PCB-1000, PCB-1225	16
Pin Drive	
PCB-825, PCB-1000, PCB-1225	22
Spline Drive	
PCBC-825, PCBC-1000, PCBC-1225	28
Bushing Part Numbers	34
Warranty	Back Page

⚠ WARNING Follow the installation instructions in this manual carefully to ensure safe, reliable operation. All stated or implied manufacturer warranties are voided if this product is not installed in accordance with these instructions.

⚠ WARNING Failure to follow these instructions may result in product damage, equipment damage, and serious or fatal injury to personnel.



PCB-825
Pin Drive



PCBC-825
Spline Drive

Clutch-Brake Pin Drive Armatures PCB-825 PCB-1000 PCB-1225

The illustration drawings, parts lists, and exploded views for these units can be found starting on page 16.

The brake half of the clutch/brake unit is usually installed first; however, in some cases it may be necessary to start with the clutch portion of the unit to assure a proper assembly when complete.

A. Installing the Conduit Box

Install the conduit box on the brake magnet. Instructions for this procedure can be found with Conduit Box.

B. Mounting the Brake Magnet

The brake magnet is mounted to a stationary machine member by a flange. Extreme care must be taken in selecting the location for the mounting of the magnet. Proper positioning is very important for the unit to function correctly.

1. A pilot diameter on the mounting surface is essential to hold the magnet within the required tolerances. (Figure 1)

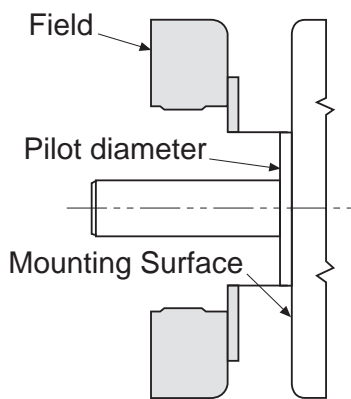


Figure 1

2. A machined pilot diameter is provided on the magnet mounting flange (refer to illustration drawings) to aid in the proper positioning of the magnet.
3. Once the mounting surface has been prepared, the magnet is bolted in place with capscrews and lock-washers. (Figure 2)



Figure 2

4. Use a dial indicator to check the unit for concentricity and squareness to the shaft. The unit should be concentric within .010 T.I.R. and square within .006 T.I.R. (Figure 3)



Figure 3

C. Assembling the Clutch Magnet and Magnet Hub

1. Insert the lead wires through the rubber terminal caps and into the collector ring. The shorter wire goes into the hole in the front of the ring (the side that will be mounted to the magnet). The longer wire goes through the ring and into the hole in the back.

Press the bullet-type connectors firmly into place. (Figure 4)

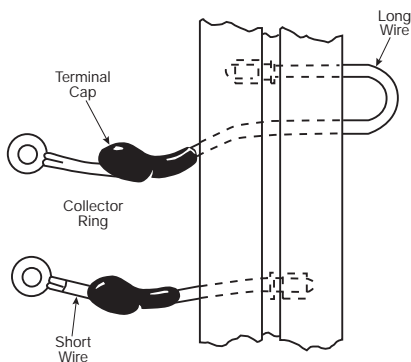


Figure 4

2. Mount the magnet to the magnet hub using capscrews and lockwashers. (Figure 5)



Figure 5

3. Secure the lead wires to the magnet terminals with screws and lockwashers.
4. Pull the rubber caps over the terminals

D. Assembling the Brake Armature and Magnet Hub

Assemble the armature to the magnet hub with the autogap mounting accessory.

The autogap accessory is a double spring device which allows for automatic armature clearance and adjustment for wear. The smaller or conical spring pushes the armature from the magnet face, leaving a gap of about 1/32 inch, while the straight spring automatically follows up for wear. This combination maintains maximum performance efficiency throughout the life of the unit.

The assembly procedure for the autogap accessory is as follows. (Figure 6)

Figure 6

Note: The 1225 unit is mounted with four drive pins instead of three as shown in the pictures; however, the assembly procedure is the same for either case.

Step 1

Place straight springs (white) over armature bosses on back side of armature. (Figure 7)



Figure 7

Step 2

Compress the heavy (red) spring on each drive pin by sliding detent spring towards head of pin. (Figure 8)



Figure 8

Step 3

Insert assembled drive pins through armature (entering from segmented side), through straight (white) springs, and into magnet hub. (Figure 9)



Figure 9

Note: Apply Grade "AA" Loctite® Sealant on pin threads.

Step 4

Tighten pins until shoulders of pins are against face of hub. Since threads are class No. 3 fit, pins may seem to bind.

CAUTION Straight springs must not get caught under shoulders of drive pins.

Step 5

Check to see that the armature is completely compressed against the face of the hub.

Step 6

To set the autogap, slide the detent spring retainers against the armature face. (Figure 10)



Figure 10

Note: This position must not be disturbed during completion of assembly.

E. Mounting the Magnet-Hub-Armature Assembly

This assembly is mounted on the shaft with a taperlock bushing. All parts must be clean and free from burrs and chips before assembling.

1. Place the bushing into the hub, and insert the key. The key is a side-to-side fit and should not contact the top of the keyway.
2. Insert the locking setscrews loosely into the bushing, and slide the assembly onto the shaft.
3. Position the assembly to allow a gap of about 1/32-inch between the brake magnet and armature faces. (Figure 11)

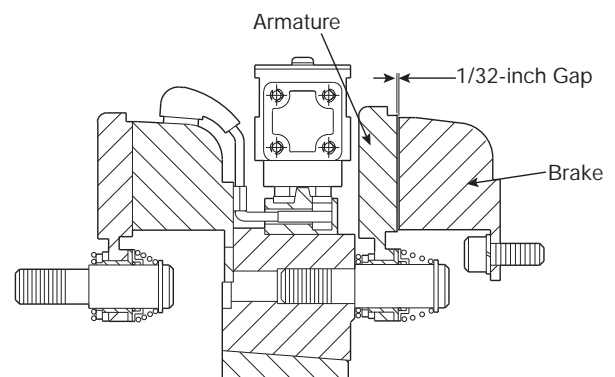


Figure 11

Once this gap is set, it will be automatically maintained for the life of the unit.

4. Secure the assembly in this position on the shaft by alternately tightening each setscrew. During the tightening process, the bushing should be tapped lightly to make certain it seats-in properly.

Note: For pin drive armatures (normal duty), continue to F. For spline drive armatures (heavy duty), proceed to F. on page 8.

F. Assembling the Clutch Armature

1. A customer may wish to use the autogap accessory to mount a clutch armature to his own pulley, hub, gear, etc. Follow the illustrated dimensions (Figures 12 & 13) to properly adapt these parts to the armature.
 - a. Chordal dimensions "A" and "C" must be held for all chords between pin holes.
 - b. Drill $27/64$ -inch diameter holes to a sufficient depth and tap for 1/2-13 NC-3

1-1/8-inch minimum full threads. Pin holes must be square with plane of mounting surface and magnet mounting.

- c. Ream $.501/.500$ to a 3/8-inch depth and to be concentric with tapped holes.
2. Once the pulley, gear, etc., has been adapted to the armature according to the above directions, it may be mounted to the armature using the autogap accessory.

The procedure is the same as described for the brake armature on page 3.

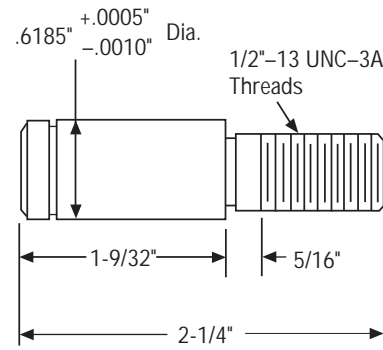
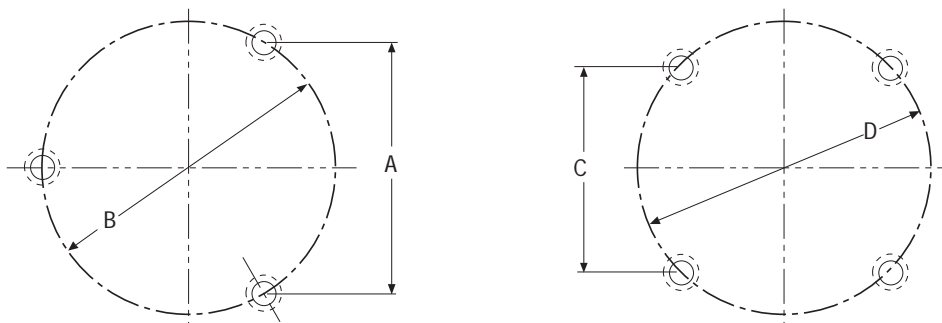


Figure 13

Machining Instructions for Gear, Sprocket, or Pulley



Unit Size	A	B	C	D
825	$3.085 \pm .001$	$3.563 \pm .001$		
1000	$4.548 \pm .002$	$5.252 \pm .002$		
1225			$4.155 \pm .002$	$5.877 \pm .002$

Figure 12

G. Mounting the Clutch Armature

1. Slide the armature and customer supplied pulley sprocket or hub assembly onto the shaft.
2. Adjust the armature's position to allow a 1/32" gap between the magnet and armature faces. (Figure 14)

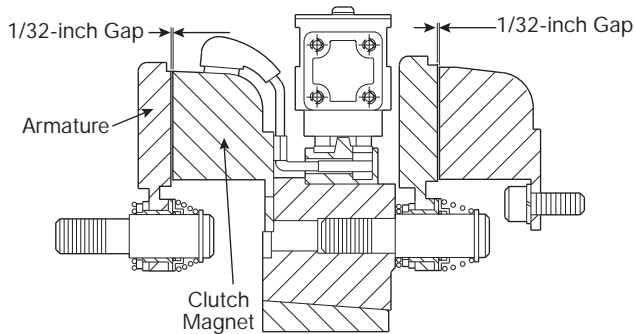


Figure 14

Once this gap is set, it will be automatically maintained for the life of the unit.

3. The armature and customer supplied pulley, sprocket or hub assembly can be held in position on the shaft by (a) retainer rings, (b) set collars, (c) a shoulder on the shaft, or (d) any combination of these. The best method will depend on the characteristics of each application.

H. Mounting the Brushholder

1. The brushholder is mounted on a bracket which must be furnished by the customer. The bracket must be firmly secured to prevent vibration which could cause improper contact between the brushes and collector ring.
2. The distance from the centerline of the shaft to the top of the brushholder should be 5-3/4". Maintaining this distance will assure proper spring tension on the brushes and maximum wear follow-up. A detailed dimensional drawing is included with each brushholder.

PCB-825 PCB-1000 PCB-1225 Clutch-Brake Spline Drive Armature

The illustration drawings, parts lists, and exploded views for these units can be found beginning on page 22.

Refer to the installation instructions for pin drive armature units, page 3, for steps A-E.

F. Assembling the Spline Drive Armature

1. These clutch-brake units contain spline drive armatures and hubs. The armatures are shipped with a built-in autogap spring accessory. This device automatically maintains a gap of about 1/32 inch between the armature and magnet faces for the life of the unit.

The spline drive armature assembly is shipped with the armature, splined armature adapter, and autogap already assembled. The splined hub and capscrew accessories are shipped as separate parts.

Follow these instructions to assemble the splined armature assembly and hub:

- a. Place the armature-adapter assembly on a flat surface with the segmented side up.
- b. Push the splined hub, with the pilot diameter down (refer to illustration drawings) through the autogap spring and splined armature adapter. (Figure 12)

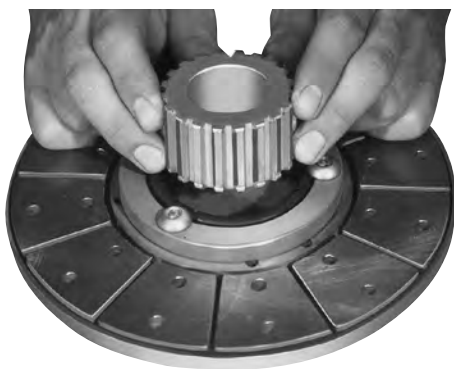


Figure 12

2. A customer may mount the clutch armature to his own pulley, hub, gear, etc. Refer to the illustration drawings, "Armature View," for the dimensional information needed to drill and tap holes in the customer part.

The splined hub pilot diameter must be concentric with the splined armature center of rotation within .010 T.I.R.

3. Mount the armature to the customer's part using the capscrew accessory provided.

Maintain a 1/16-inch clearance between the armature adapter and the customer part after the parts have been assembled.

G. Mounting the Clutch Armature Assembly

1. Slide the complete armature and customer supplied pulley, sprocket or hub assembly on to the shaft.
2. Adjust the armature's position to allow a 1/16-inch gap between the magnet and armature faces. (Figure 13)

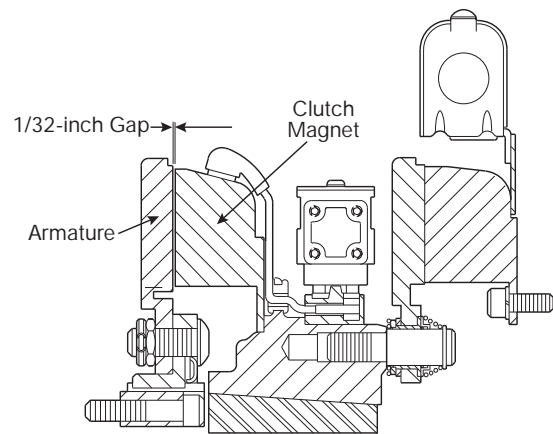


Figure 13

3. Secure the armature assembly in position by a) retainer rings, b) set collars, c) shoulder on the shaft, or d) any combination of these. The best method will depend on the characteristics of each application.
4. When the armature is secure on the shaft, push the armature against the magnet face. When the armature is released, it will spring back about 1/32-inch. This gap will be automatically maintained for the life of the unit.

H. Mounting the Brushholder

1. The brushholder is mounted on a bracket which must be furnished by the customer. The bracket must be firmly secured to prevent vibration which could cause improper contact between the brushes and collector ring.
2. The distance from the centerline of the shaft to the top of the brushholder should be 5-3/4". Maintaining this distance will assure proper spring tension on the brushes and maximum wear follow-up. A detailed dimensional drawing is included with each brushholder.

Clutch-Brake Coupling PCBC-825 PCBC-1000 PCBC-1225

The illustration drawings, parts lists, and exploded views for these units can be found beginning on page 28.

The brake half of the clutch/brake unit is usually installed first; however, in some cases it may be necessary to start with the clutch portion of the unit to assure a proper assembly when complete.

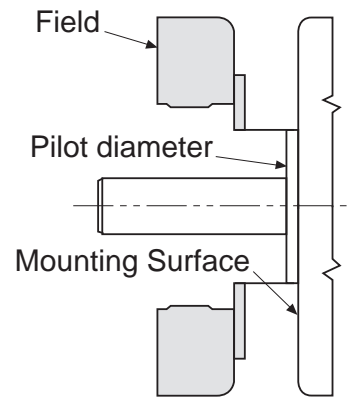


Figure 1

A. Installing the Conduit Box

Install the conduit box on the brake magnet. Instructions for this procedure can be found with Conduit Box.

B. Mounting the Brake Magnet

The brake magnet is mounted to a stationary machine member by a flange. Extreme care must be taken in selecting the location for the mounting of the magnet. Proper positioning is very important for the unit to function correctly.

1. A pilot diameter on the mounting surface is essential to hold the magnet within the required tolerances. (Figure 1)

2. A machined pilot diameter is provided on the magnet mounting flange (refer to illustration drawings) to aid in the proper positioning of the magnet.
3. Once the mounting surface has been prepared, the magnet is bolted in place with capscrews and lockwashers. (Figure 2)

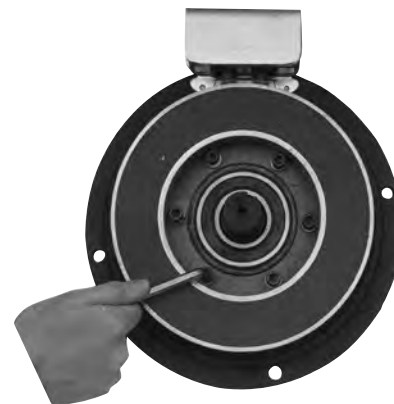


Figure 2

- Use a dial indicator to check the unit for concentricity and squareness to the shaft. The unit should be concentric within .010 T.I.R. and square within .006 T.I.R. (Figure 3)

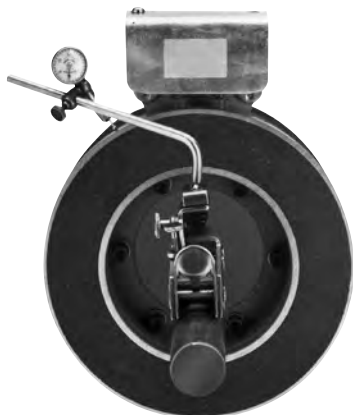


Figure 3

C. Assembling the Clutch Magnet and Magnet Hub

- Insert the lead wires through the rubber terminal caps and onto the collector ring. The shorter wire goes into the hole in the front of the ring (the side that will be mounted to the magnet). The longer wire goes through the ring and into the hole in the back.

Press the bullet-type connectors firmly into place. (Figure 4)

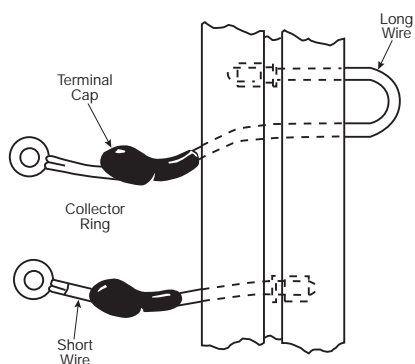


Figure 4

- Mount the magnet to the magnet hub using capscrews and lockwashers. (Figure 5)



Figure 5

- Secure the lead wires to the magnet terminals with screws and lockwashers.
- Pull the rubber caps over the terminals.

D. Assembling the Brake Armature and Magnet Hub

Assemble the armature to the magnet hub with the autogap mounting accessory.

The autogap assembly is a double spring device which allows for automatic armature clearance and adjustment for wear. The smaller or conical spring pushes the armature from the magnet face, leaving a gap of about 1/32 inch, while the straight spring automatically follows up for wear. This combination maintains maximum efficiency throughout the life of the unit.

The assembly procedure for the autogap accessory is as follows (Figure 6):

(Figure 6)

Note: The 1225 unit is mounted with four drive pins instead of three as shown in the pictures; however, the assembly procedure is the same for either case.

Step 1

Place straight springs (white) over armature bosses on back side of armature. (Figure 7)



Figure 7

Step 2

Compress the heavy (red) spring on each drive pin by sliding detent spring towards head of pin. (Figure 8)



Figure 8

Step 3

Insert assembled drive pins through armature (entering from segmented side), through straight (white) springs, and into magnet hub.

Note: Apply Grade "AA" Loctite® Sealant on pin threads. (Figure 9)

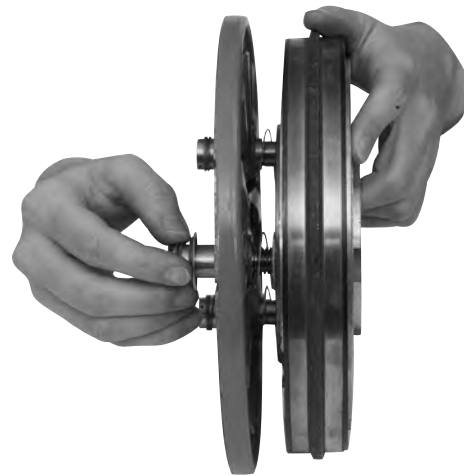


Figure 9

Step 4

Tighten pins until shoulders of pins are against face of hub. Since threads are class No. 3 fit, pins may seem to bind.

CAUTION Straight springs must not get caught under shoulders of drive pins.

Step 5

Check to see that the armature is completely compressed against the face of the hub.

Step 6

To set the autogap, slide the detent spring retainers against the armature face.

Note: This position must not be disturbed during completion of assembly. (Figure 10)



Figure 10

E. Mounting the Magnet-Hub-Armature Assembly

This assembly is mounted on the shaft with a taperlock bushing. All parts must be clean and free from burrs and chips before assembling.

1. Place the bushing into the hub, and insert the key. The key is a side-to-side fit and should not contact the top of the keyway.
2. Insert the locking setscrews loosely into the bushing, and slide the assembly onto the shaft.
3. Position the assembly to allow a gap of about 1/32-inch between the brake magnet and armature faces. (Figure 11)

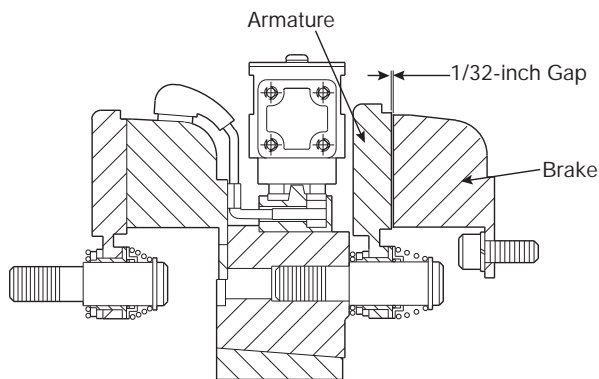


Figure 11

Once this gap is set, it will be automatically maintained for the life of the unit.

4. Secure the assembly in this position on the shaft by alternately tightening each setscrew. During the tightening process the bushing should be tapped lightly to make certain it seats-in properly.

F. Assembling the Clutch Armature

The spline drive armatures are shipped with a built-in autogap spring accessory. This device automatically maintains a gap of about 1/32-inch between the armature and magnet faces for the life of the unit.

These units are shipped with the armature, splined armature adapter, and autogap already assembled. The splined hub, retainer ring, and bushing are shipped as separate parts.

Follow these instructions to assemble the armature and splined hub.

Step 1

Place the armature-splined adapter assembly on a flat surface with the segmented side up. Push the splined hub, with the retainer ring groove down, through the autogap spring and splined armature adapter. (Figure 12)

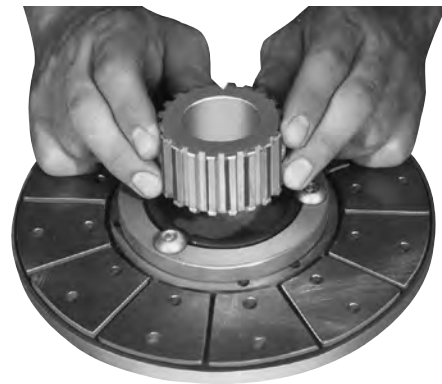


Figure 12

Step 2

Turn the armature-adapter assembly over, and insert the retainer ring in the groove. (Figure 13)



Figure 13

Step 3

Slide the armature-adapter assembly up against the retainer ring.

Step 4

Insert the bushing into the retainer ring side of the splined hub. The clearance holes in the bushing flange should line up with the tapped holes in the splined hub. (Figure 14)



Figure 14

G. Mounting the Armature and Hub Assembly

1. Slide the complete armature and hub assembly onto the shaft until the armature face touches the magnet face.
2. Tighten the bushing capscrews, taking a few turns at a time on each capscrew. As the capscrews are tightened, the armature will back away slightly from the magnet. There should be a clearance of 1/16" between the armature and magnet when the capscrews are completely tight. (Figure 15)

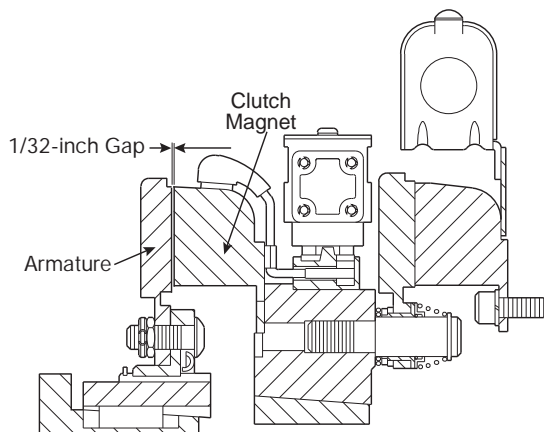


Figure 15

3. When the bushing is secure on the shaft, push the armature against the magnet face. When the armature is released, it will spring back about 1/32". The gap will be automatically maintained for the life of the unit.

H. Mounting the Brushholder

1. The brushholder is mounted on a bracket which must be furnished by the customer. The bracket must be firmly secured to prevent vibration which could cause improper contact between the brushes and collector ring.
2. The distance from the centerline of the shaft to the top of the brushholder should be 5-3/4". Maintaining this distance will assure proper spring tension on the brushes and maximum wear follow-up. A detailed dimensional drawing is included with each brushholder.

Coil Data

Unit Size	PB & PC-825			PB & PC-1000			PB & PC-1225		
Voltage — DC	6	24	90	6	24	90	6	24	90
Resistance @ 20°C — Ohms	1.27	20.4	223.3	1.23	19.7	248.7	1.33	22.2	61.7
Current — Amperes	4.74	1.18	.4	4.87	1.22	.36	4.5	1.08	.34
Watts	28	28	36	29	29	33	27	26	31
Coil Build-up — Milliseconds	170	170	170	205	220	235	300	320	350
Coil Decay — Milliseconds	70	75	80	70	75	80	190	190	190

Notes: Build-up time equals current to approximately* 90% of steady state value and flux to 90%.
 Decay time equals current to approximately* 10% of steady state value and flux to 10%.

*Approximately because current leads or lags flux by a small amount.

Burnishing and Maintenance

Burnishing

Intimate metal to metal contact is essential between the armature and the metal rings (poles) of the magnet or rotor. Warner Electric clutches and brakes leave the factory with the friction material slightly undercut to assure good initial contact.

Normally, the desired wearing-in process occurs naturally as the surfaces slip upon engagement. The time for wear-in, which is necessary to obtain the ultimate torque of the unit, will vary depending on speed, load, or cycle duty.

If maximum torque is required immediately after installation, the unit should be burnished by slipping the friction surfaces together at reduced voltage. It is recommended that the burnishings be done right on the application, if at all possible.

Burnishing at high speed will result in a smoother wear-in pattern and reduce the time for burnishing. The voltage should be set at approximately 30% or 40% of the rated value.

The unit should be cycled on and off to allow sufficient time between slip cycles to prevent overheating.

When a Warner Electric brake or clutch is properly assembled and installed, no further servicing, lubrication, or maintenance should be required throughout the life of the unit.

Maintenance

Wear Pattern: Wear grooves appear on the armature and magnet surfaces. This is a normal wear condition, and does not impair functioning of the unit. Normally, the magnet and armature, as a mating pair, will wear at the same rate. It is the usual recommendation that both components be replaced at the same time.

Remachining the face of a worn armature is not recommended. If a replacement armature is to be used with a used magnet, it is necessary to remachine the worn magnet face. In refacing a magnet: (1) machine only enough material to clean up the complete face of the magnet; (2) hold the face within .005" of parallel with the mounting plate; and (3) undercut the molded facing material .002" - .004" below the metal poles.

Heat: Excessive heat and high operating temperatures are causes of rapid wear. Units, therefore, should be ventilated as efficiently as possible, especially if the application requires fast, repetitive cycle operation.

Foreign Materials: If units are used on machinery where fine, abrasive dust, chips or grit are dispelled into the atmosphere, shielding of the brake may be necessary if maximum life is to be obtained.

Where units are used near gear boxes or transmissions requiring frequent lubrication, means should be provided to protect the friction surfaces from oil and grease to prevent serious loss of torque.

Oil and grease accidentally reaching the friction surfaces may be removed by wiping with a rag dampened with a suitable cleaner, which leaves no residue. In performing this operation, do not drench the friction material.

If the friction materials have been saturated with oil or grease, no amount of cleaning will be completely effective. Once such a unit has been placed back in service, heat will cause the oil to boil to the surface, resulting in further torque loss.

Torque Loss: If a brake or clutch slips or loses torque completely, the initial check should be the input voltage to the magnet as follows:

90-Volt Series: Connect a DC voltmeter with a range of 0-100 or more directly across the magnet terminals. With the power on and the potentiometer turned up, a normal reading is 90 volts, although 85 to 95 is satisfactory. The reading should drop as the potentiometer control is adjusted counterclockwise.

24-Volt Series: Use a DC voltmeter with a range of 0-30 volts or more. A normal reading is approximately 22-26 volts.

6-Volt Series: Use a DC voltmeter of approximately 0-15 volt range. A normal reading is from 5.5 to 6.5 volts.

The above checks normally are sufficient. Further checks may be made as follows: a low range ammeter, when connected in series with one magnet lead, will normally indicate approximately .40 amperes for the 90 volt units, 1.0 ampere for the 24 volt, and 3.5 amperes for the 6 volt series. These readings are with the power on and the potentiometer control in the maximum position.

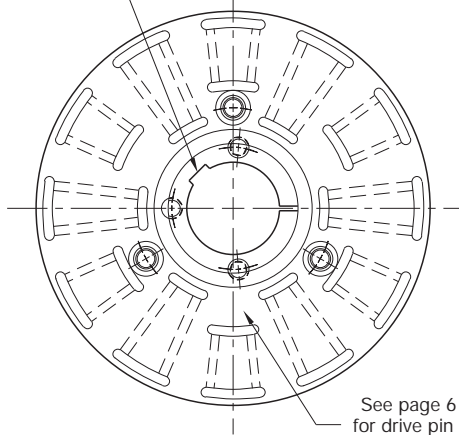
Ohmmeter checks should be made with the power off and the circuit open (to be certain, disconnect one lead to the magnet). Average resistance for the 90 volt series is 220 ohms; for the 24 volt, 20 ohms; and for the 6 volt series, 1.5 ohms. A very high or infinite resistance reading would indicate an open coil.

If the above checks indicate that the proper voltage and current is being supplied to the magnet, mechanical parts should be checked to assure that they are in good operating condition and properly installed.

PCB-825 Clutch-Brake Normal Duty

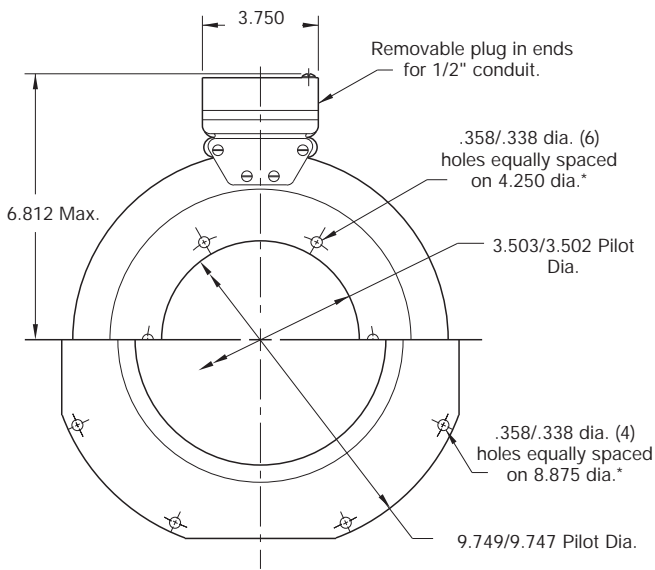
Drawing I-25568

See page 34 for details on Bore & Keyway.

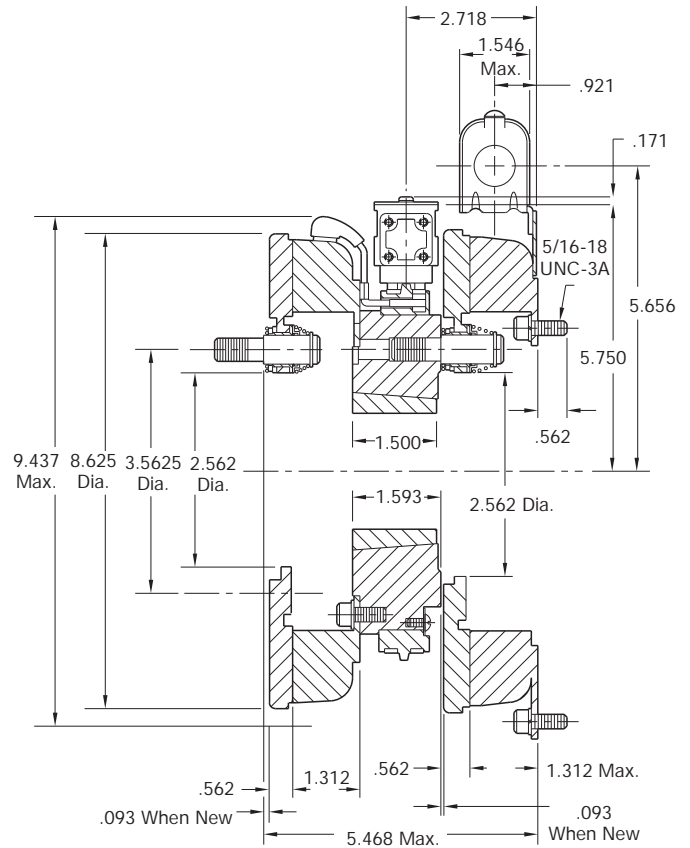


Armature View

See page 6 for details for drive pin mountings.



**Magnet View
(Inside & Outside Mounted)**



* Mounting holes are within .010 of true position relative to pilot diameter.

Customer Shall Maintain:

1. Concentricity of brake mounting pilot diameter with mounting shaft within .010 T.I.R.
2. Squareness of brake magnet mounting face with mounting shaft within .006 T.I.R. measured at magnet mounting bolt circle.

Shaft Size	.500 – 1.625
Static Torque	125 lb. ft.
Maximum Speed	4,000 rpm
Standard Voltage	D.C. 6, 24, 90

All dimensions are nominal unless otherwise noted.

PCB-825 Clutch Brake Flange Mounted Per I-25568 Inside Mtd. Outside Mtd.

PCB-825, N.D.			
Item	Description	Part Number	Qty.
1	Armature	5301-111-018	1
2	Autogap Accessory	5201-101-008	3
3	Mounting Accessory	5321-101-001	1
4	Magnet		1
	6 Volt	5301-631-002	
	24 Volt	5301-631-004	
	90 Volt	5301-631-005	
4-1	Terminal Accessory	5311-101-001	1
5	Magnet Hub		1
	Left Hand	5301-541-001	
	Right Hand	5301-541-002	
5-1	Collector Ring	5301-749-001	1
5-2	Collector Ring Assembly	5301-101-002	1
6	Brushholder	5300-178-001	1
6-1	Brush	176-0001	4
7	Bushing*		
	1/2" to 1-5/8" Bore	180-0131 to 180-0149	1
8	Armature	5301-111-018	1
9	Autogap Accessory	5201-101-008	3
10A	Mounting Accessory - I.M.	5321-101-001	1
10B	Mounting Accessory - O.M.	5321-101-002	1
11A	Magnet - Inside Mounted		1
	6 Volt	5311-631-002	
	24 Volt	5311-631-003	
	90 Volt	5311-631-004	
11A-1	Terminal Accessory	5311-101-001	1
11B	Magnet - Outside Mounted		1
	6 Volt	5311-631-007	

PCB-825, N.D.			
Item	Description	Part Number	Qty.
	24 Volt	5311-631-009	
	90 Volt	5311-631-008	
11B-1	Terminal Accessory	5311-101-001	1
12	Conduit Box	5200-101-011	1

*See page 34 for specific part numbers

How to Order:

1. Specify Voltage for Item 4 and Item 11A or 11B.
2. Specify left hand or right hand hub for Item 5.
Bushing enters from magnet side for L.H. hub and from hub side for R.H.
3. Specify Bore Size for Item 7.
4. Specify Inside Mounted for Items 10A and 11A or Outside Mounted for Items 10B and 11B.

Example:

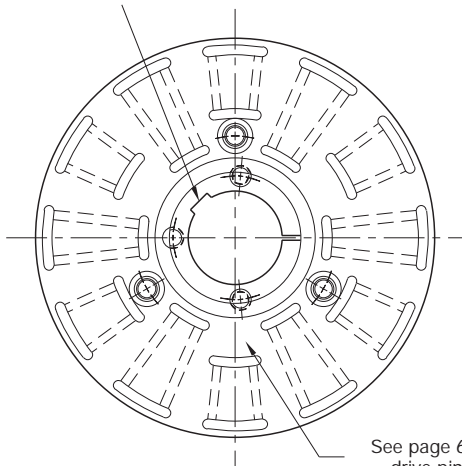
PCB-825 Clutch Brake per I-25568 - 90 Volt, Left Hand hub, 1" Bore, Inside Mounted

These units meet standards set forth in UL508 and are listed under guide card #NMTR2, file #59164. These units are CSA certified under file #LR11543.

PCB-1000 Clutch-Brake Normal Duty

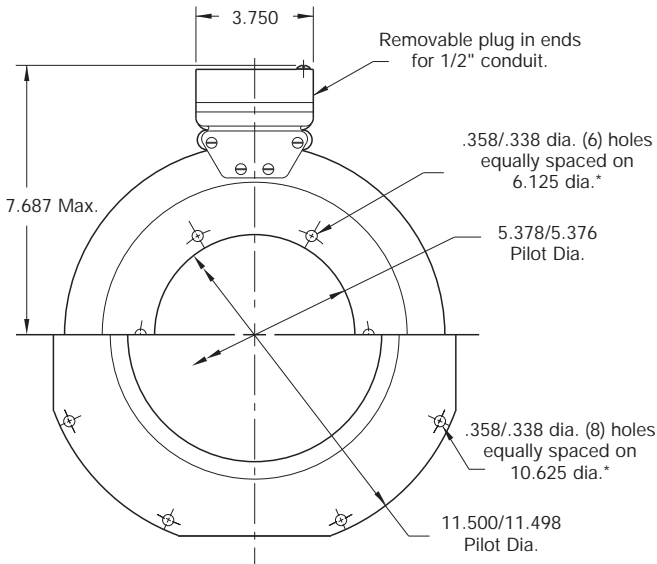
Drawing I-25588

See page 34 for details on Bore & Keyway.

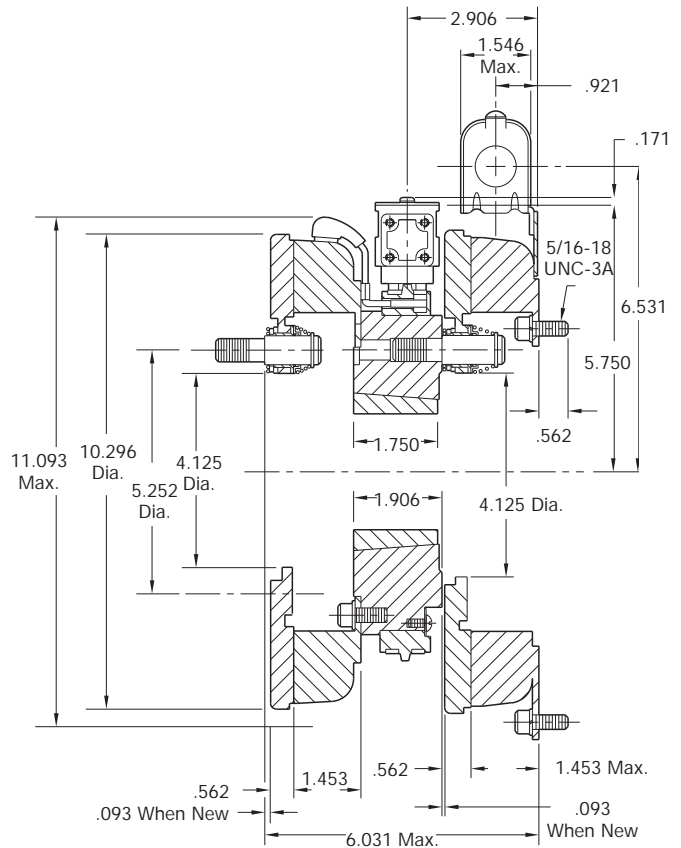


Armature View

See page 6 for details on drive pin mountings.



Magnet View
(Inside & Outside Mounted)



* Mounting holes are within .010 of true position relative to pilot diameter.

Customer Shall Maintain:

1. Concentricity of brake mounting pilot diameter with mounting shaft within .010 T.I.R.
2. Squareness of brake magnet mounting face with mounting shaft within .006 T.I.R. measured at magnet mounting bolt circle.

Shaft Size	.500 – 2.500
Static Torque	240 lb. ft.
Maximum Speed	3,600 rpm
Standard Voltage	D.C. 6, 24, 90

All dimensions are nominal unless otherwise noted.

PCB-1000 Clutch Brake Flange Mounted Per I-25588 Inside Mtd. Outside Mtd.

PCB-1000, N.D.			
Item	Description	Part Number	Qty.
1	Armature	5302-111-013	1
2	Autogap Accessory	5201-101-008	3
3	Mounting Accessory	5321-101-001	1
4	Magnet		1
	6 Volt	5302-631-003	
	24 Volt	5302-631-014	
	90 Volt	5302-631-005	
4-1	Terminal Accessory	5311-101-001	1
5	Magnet Hub		1
	Left Hand	5302-541-001	
	Right Hand	5302-541-002	
5-1	Collector Ring	5301-749-001	1
5-2	Collector Ring Assembly	5302-101-002	1
6	Brushholder	5300-178-001	1
6-1	Brush	176-0001	4
7	Bushing*		
	1/2" to 2-1/2" Bore	180-0185 to 180-0217	1
8	Armature	5302-111-013	1
9	Autogap Accessory	5201-101-008	3
10A	Mounting Accessory - I.M.	5321-101-001	1
10B	Mounting Accessory - O.M.	5321-101-002	2
11A	Magnet - Inside Mounted		1
	6 Volt	5312-631-004	
	24 Volt	5312-631-005	
	90 Volt	5312-631-006	
11A-1	Terminal Accessory	5311-101-001	1
11B	Magnet - Outside Mounted		1
	6 Volt	5312-631-011	

PCB-1000, N.D.			
Item	Description	Part Number	Qty.
	24 Volt	5312-631-013	
	90 Volt	5312-631-012	
11B-1	Terminal Accessory	5311-101-001	1
12	Conduit Box	5200-101-011	1

*See page 34 for specific part numbers.

How to Order:

1. Specify Voltage for Item 4 and Item 11A or 11B.
2. Specify left hand or right hand hub for Item 5.
Bushing enters from magnet side for L.H. hub and from hub side for R.H.
3. Specify Bore Size for Item 7.
4. Specify Inside Mounted for Items 10A and 11A or Outside Mounted for Items 10B and 11B.

Example:

PCB-1000 Clutch Brake per I-25588 - 90 Volt, Left Hand hub, 1-1/2" Bore, Inside Mounted

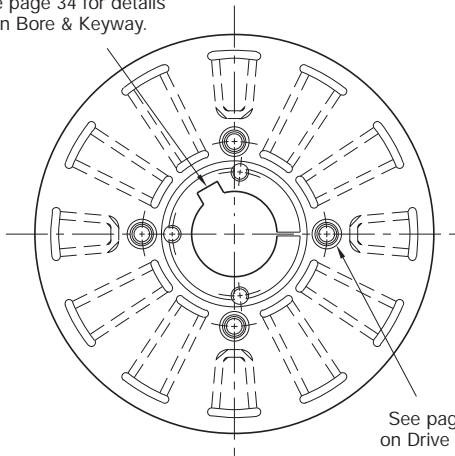
These units meet standards set forth in UL508 and are listed under guide card #NMTR2, file #59164.

These units are CSA certified under file #LR11543.

PCB-1225 Clutch-Brake Normal Duty

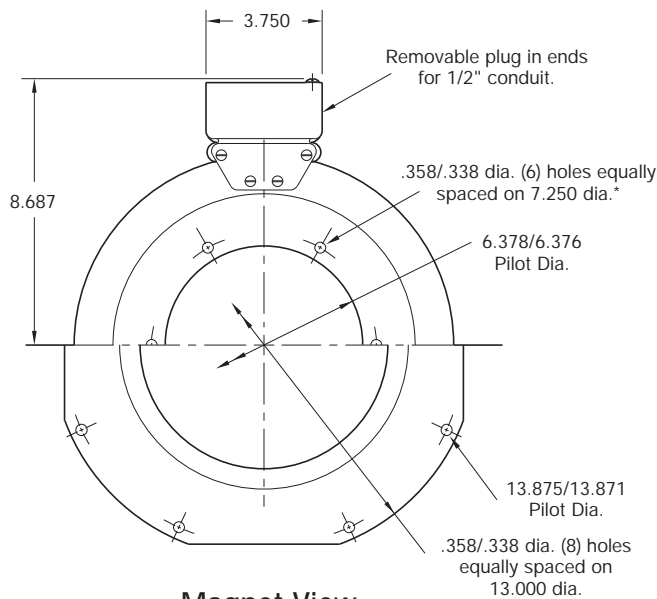
Drawing I-25608

See page 34 for details on Bore & Keyway.

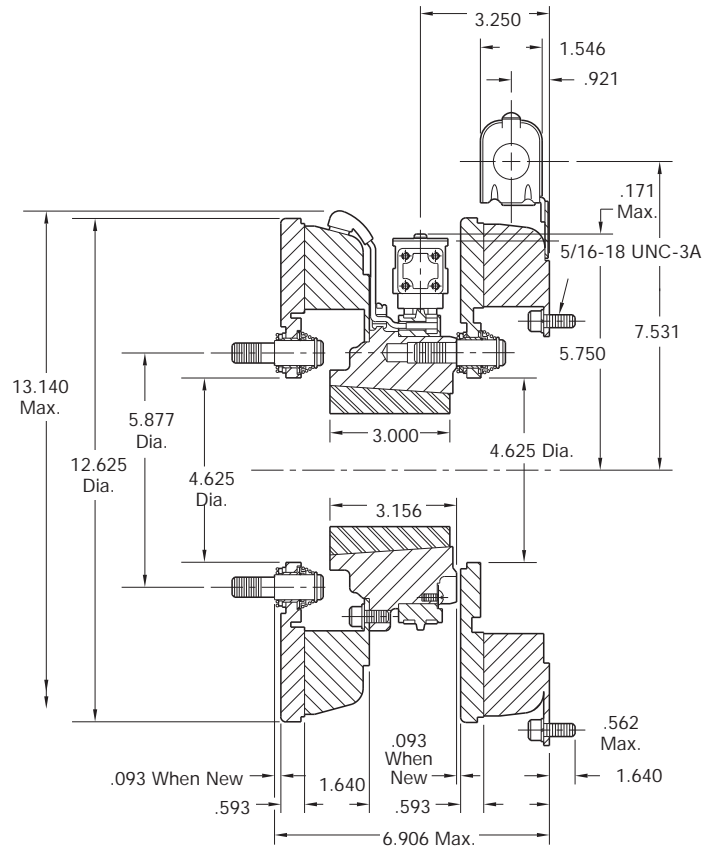


Armature View

See page 6 for details on Drive Pin mountings.



Magnet View
(Inside & Outside Mounted)



* Mounting holes are within .010 of true position relative to pilot diameter.

Customer Shall Maintain:

1. Concentricity of brake mounting pilot diameter with mounting shaft within .010 T.I.R.
2. Squareness of brake magnet mounting face with mounting shaft within .006 T.I.R. measured at magnet mounting bolt circle.

Shaft Size	.937 – 3.000
Static Torque	465 lb. ft.
Maximum Speed	3,000 rpm
Standard Voltage	D.C. 6, 24, 90

All dimensions are nominal unless otherwise noted.

PCB-1225 Clutch Brake Flange Mounted Per I-25608 Inside Mtd. Outside Mtd.

Item	Description	PCB-1225 N.D. Part Number	Qty.
1	Armature	5303-111-009	1
2	Autogap Accessory	5201-101-008	4
3	Mounting Accessory	5321-101-001	1
4	Magnet		1
	6 Volt	5303-631-005	
	24 Volt	5303-631-007	
	90 Volt	5303-631-008	
4-1	Terminal Accessory	5311-101-001	1
5	Magnet Hub		1
	Left Hand	5303-541-001	
	Right Hand	5303-541-002	
5-1	Collector Ring	5301-749-001	1
5-2	Collector Ring Assembly	5303-101-004	1
6	Brushholder	5300-178-001	1
6-1	Brush	176-0001	4
7	Bushing*		
	15/16" to 3" Bore	180-0262 to 180-0295	1
8	Armature	5303-111-009	1
9	Autogap Accessory	5201-101-008	4
10A	Mounting Accessory - I.M.	5321-101-001	1
10B	Mounting Accessory - O.M.	5321-101-002	2
11A	Magnet - Inside Mounted		1
	6 Volt	5313-631-005	
	24 Volt	5313-631-006	
	90 Volt	5313-631-007	
11A-1	Terminal Accessory	5311-101-001	1
11B	Magnet - Outside Mounted		1
	6 Volt	5313-631-010	

Item	Description	PCB-1225 N.D. Part Number	Qty.
	24 Volt	5313-631-012	
	90 Volt	5313-631-011	
11B-1	Terminal Accessory	5311-101-001	1
12	Conduit Box	5200-101-011	1

*See page 34 for specific part numbers.

How to Order:

1. Specify Voltage for Item 4 and Item 11A or 11B.
2. Specify left hand or right hand hub for Item 5.
Bushing enters from magnet side for L.H. hub and from hub side for R.H.
3. Specify Bore Size for Item 7.
4. Specify Inside Mounted for Items 10A and 11A or Outside Mounted for Items 10B and 11B.

Example:

PCB-1225 Clutch Brake per I-25608 - 90 Volt, Left hand hub, 2" Bore, Inside Mounted.

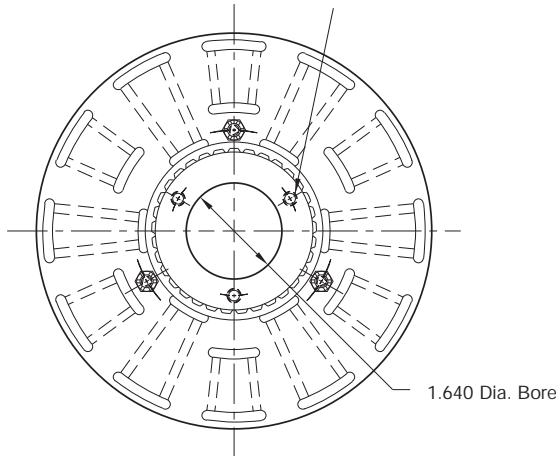
These units meet the standards of UL508 and are listed under guide card #NMTR2, file #59164.

These units are CSA certified under file #LR11543.

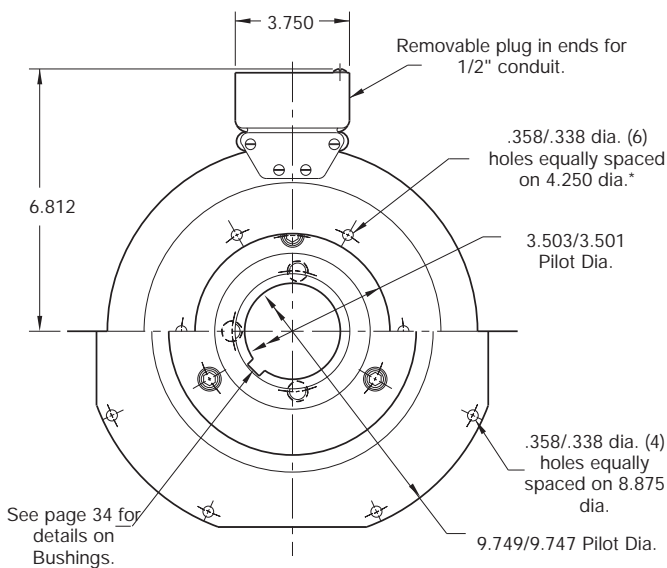
PCB-825 Clutch-Brake Heavy Duty

Drawing I-25569

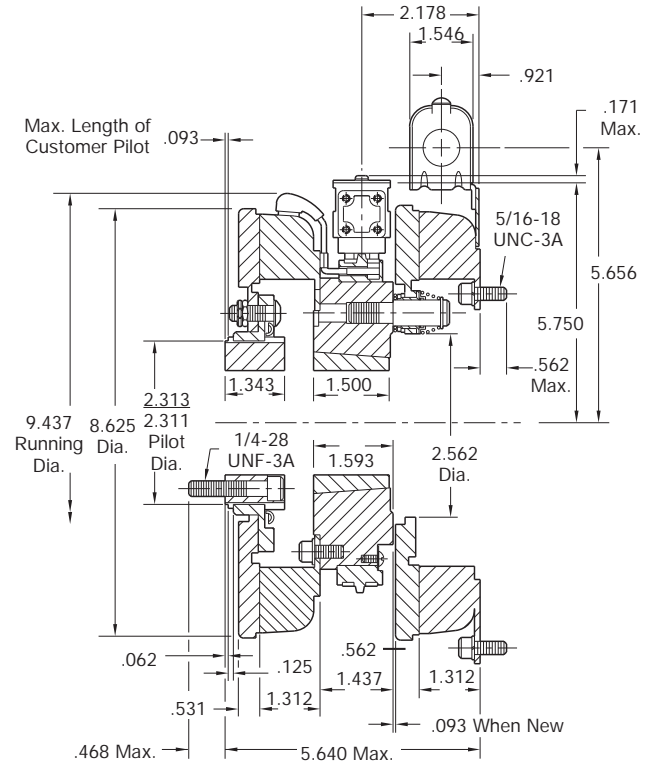
.271/.263 dia. (5) holes (hub) equally spaced on 2.015 dia. and within .003 of true position in relation to 2.313/2.311 pilot dia.



Armature View



Magnet View
(Inside & Outside Mounted)



* Mounting holes are within .010 of true position relative to pilot diameter.

Customer Shall Maintain:

1. Concentricity of brake magnet mounting pilot diameter with mounting shaft within .010 T.I.R.
2. Squareness of brake magnet mounting face with magnet mounting shaft within .006 T.I.R.
3. Splined hub pilot diameter to be concentric with splined armature center of rotation within .010 T.I.R.
4. Mounting shaft to be concentric with splined armature center of rotation within .006 T.I.R.

Shaft Size	.500 – 1.625
Static Torque	125 lb. ft.
Maximum Speed	4,000 rpm
Standard Voltage	D.C. 6, 24, 90

All dimensions are nominal unless otherwise noted.

PCB-825 Clutch Brake Flange Mounted Per I-25569 Inside Mtd. Outside Mtd.

Item	Description	PCB-825 H.D. Part Number	Qty.
1	Splined Hub	540-0146	1
2	Mounting Accessory	5201-101-001	1
3	Armature Accessory	5321-111-001	1
3-1	Armature	5321-111-022	1
3-2	Armature Adapter	104-0008	1
3-3	Autogap Spring	808-0054	1
3-4	Retainer Ring	748-0373	1
3-5	Buttonhead Screw	797-0272	3
3-6	Locknut	661-0004	3
4	Mounting Accessory	5321-101-001	1
5	Magnet		1
	6 Volt	5301-631-002	
	24 Volt	5301-631-004	
	90 Volt	5301-631-005	
5-1	Terminal Accessory	5311-101-001	1
6	Magnet Hub		1
	Right Hand	5301-541-002	
	Left Hand	5301-541-001	
7	Collector Ring	5301-749-001	1
7-1	Collector Ring Accessory	5301-101-002	1
8	Bushing*	180-0131 to 180-0149	1
9	Brushholder	5300-178-001	1
9-1	Brush	176-0001	4
10	Armature	5301-111-018	1
11	Autogap Accessory	5201-101-008	3
12A	Mounting Accessory - I.M.	5321-101-001	1
12B	Mounting Accessory - O.M.	5321-101-002	1
13A	Magnet - Inside Mounted		1
	6 Volt	5311-631-002	
	24 Volt	5311-631-003	
	90 Volt	5311-631-004	

Item	Description	PCB-825 H.D. Part Number	Qty.
13A-1	Terminal Accessory	5311-101-001	1
13B	Magnet Hub - Outside Mounted		1
	6 Volt	5311-631-007	
	24 Volt	5311-631-009	
	90 Volt	5311-631-008	
13B-1	Terminal Accessory	5311-101-001	1
14	Conduit Box	5200-101-011	1

*See page 34 for specific part numbers.

How to Order:

1. Specify Voltage for Item 5 and Item 13A or 13B.
2. Specify left hand or right hand hub for Item 6. Bushing enters from magnet side for L.H. hub and from hub side for R.H. hub.
3. Specify Bore Size for Item 8.
4. Specify Inside Mounted for Items 12A and 13A or Outside Mounted for Item 12B and 13B.

Example:

PCB-825 Clutch Brake per I-25569 - 90 Volt, Left Hand hub, 1" Bore, Inside Mounted.

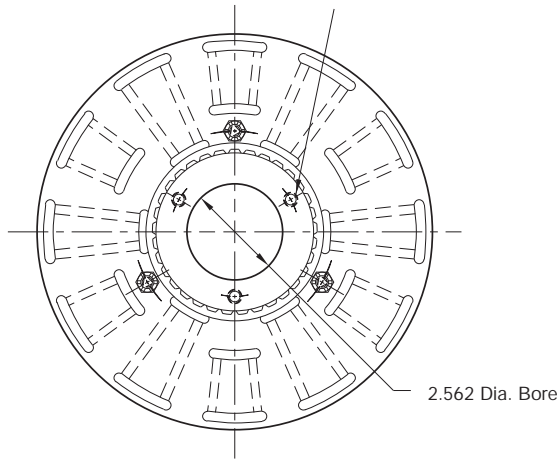
These units meet the standards of UL508 and are listed under guide card #NMTR2, file #59164.

These units are CSA certified under file #LR11543.

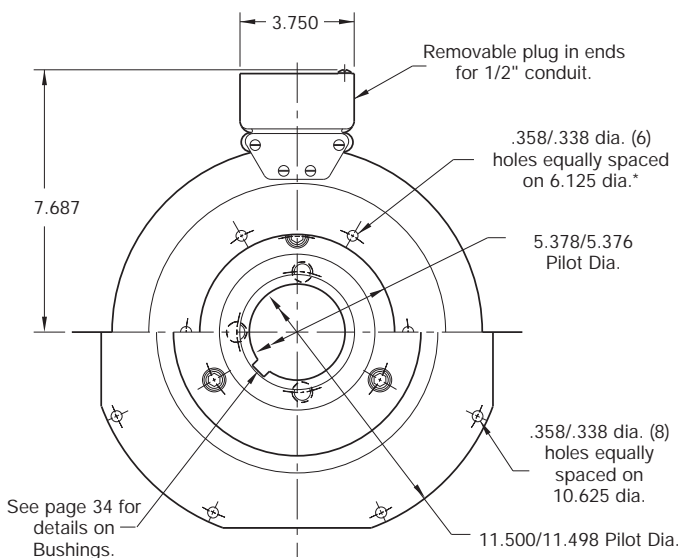
PCB-1000 Clutch-Brake Heavy Duty

Drawing I-25589

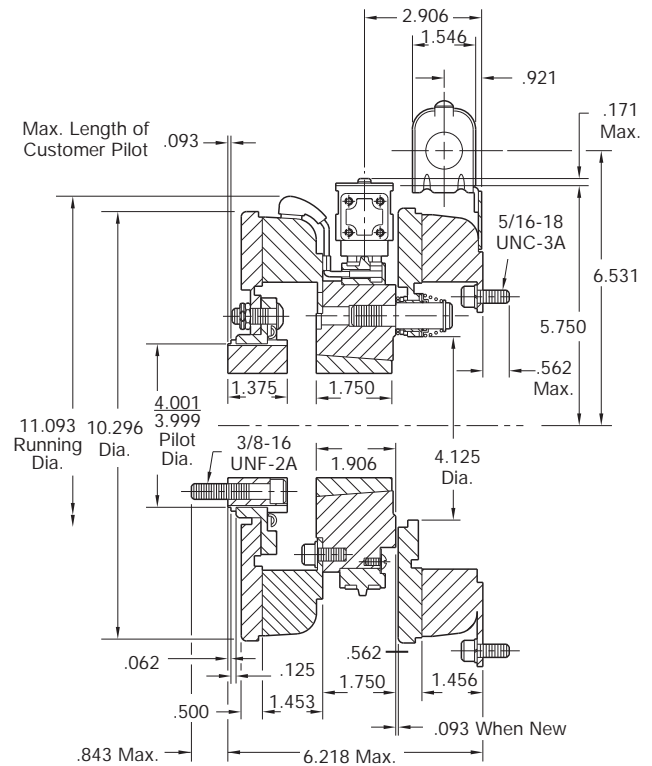
.397/.388 dia. (3) holes (hub) equally spaced on 3.187 dia. and within .003 of true position in relation to 4.001/3.999 pilot dia.



Armature View



Magnet View
(Inside & Outside Mounted)



* Mounting holes are within .010 of true position relative to pilot diameter.

Customer Shall Maintain:

1. Concentricity of brake magnet mounting pilot diameter with mounting shaft within .010 T.I.R.
2. Squareness of brake magnet mounting face with magnet mounting shaft within .006 T.I.R.
3. Splined hub pilot diameter to be concentric with splined armature center of rotation within .010 T.I.R.
4. Mounting shaft to be concentric with splined armature center of rotation within .006 T.I.R.

Shaft Size	.500 – 2.500
Static Torque	240 lb. ft.
Maximum Speed	3,600 rpm
Standard Voltage	D.C. 6, 24, 90

All dimensions are nominal unless otherwise noted.



PCB-1000 Clutch-Brake Flange Mounted Per I-25589 Inside Mtd. Outside Mtd.

Item	Description	PCB-1000 H.D. Part Number	Qty.
1	Splined Hub	540-0147	1
2	Mounting Accessory	5202-101-001	1
3	Armature Accessory	5322-111-002	1
3-1	Armature	5322-111-036	1
3-2	Armature Adapter	104-0009	1
3-3	Autogap Spring	808-0061	1
3-4	Retainer Ring	748-0374	1
3-5	Buttonhead Screw	797-0272	3
3-6	Locknut	661-0004	3
4	Mounting Accessory	5321-101-001	1
5	Magnet		1
	6 Volt	5302-631-003	
	24 Volt	5302-631-014	
	90 Volt	5302-631-005	
5-1	Terminal Accessory	5311-101-001	1
6	Magnet Hub		1
	Right Hand	5302-541-002	
	Left Hand	5302-541-001	
7	Collector Ring	5301-749-001	1
7-1	Collector Ring Accessory	5301-101-002	1
8	Bushing*	180-0185 to 180-0217	1
9	Brushholder	5300-178-001	1
9-1	Brush	176-0001	4
10	Armature	5302-111-013	1
11	Autogap Accessory	5201-101-008	3
12A	Mounting Accessory - I.M.	5321-101-001	1
12B	Mounting Accessory - O.M.	5321-101-002	2
13A	Magnet - Inside Mounted		1
	6 Volt	5312-631-004	
	24 Volt	5312-631-005	

Item	Description	PCB-1000 H.D. Part Number	Qty.
	90 Volt	5312-631-006	
13A-1	Terminal Accessory	5311-101-001	1
13B	Magnet Hub - Outside Mounted		1
	6 Volt	5312-631-011	
	24 Volt	5312-631-013	
	90 Volt	5312-631-012	
13B-1	Terminal Accessory	5311-101-001	1
14	Conduit Box	5200-101-011	1

*See page 34 for specific part numbers.

How to Order:

1. Specify Voltage for Item 5 and Item 13A or 13B.
2. Specify left hand or right hand hub for Item 6.
Bushing enters from magnet side for L.H. hub and from hub side for R.H. hub.
3. Specify Bore Size for Item 8.
4. Specify Inside Mounted for Items 12A and 13A or Outside Mounted for Item 12B and 13B.

Example:

PCB-1000 Clutch Brake per I-25589 - 90 Volt, Left Hand hub, 1-1/2" Bore, Inside Mounted

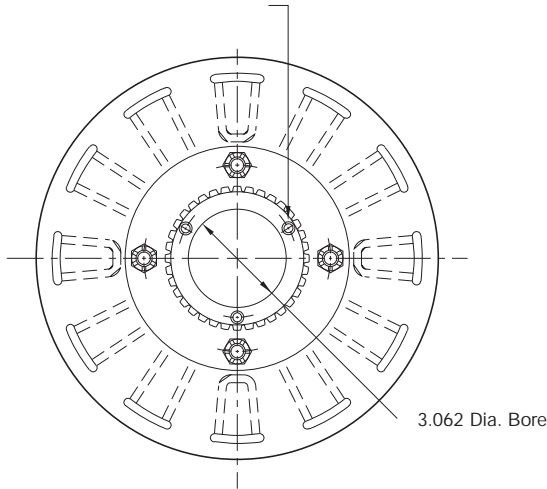
These units meet the standards of UL508 and are listed under guide card #NMTR2, file #59164.

These units are CSA certified under file #LR11543.

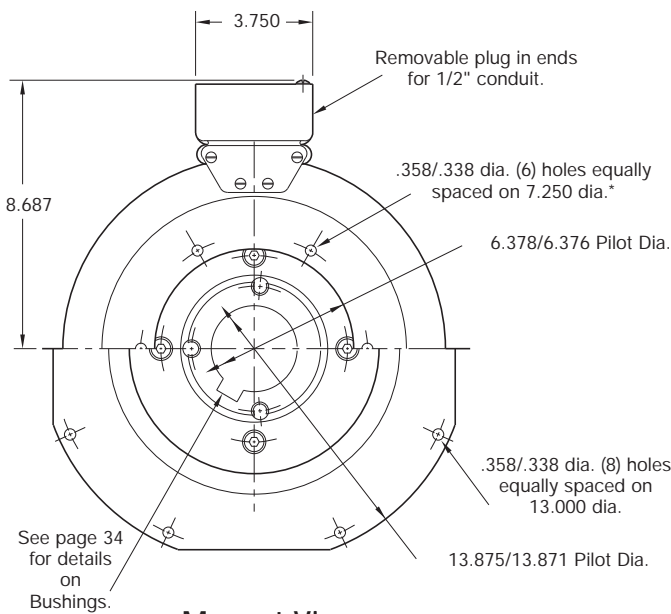
PCB-1225 Clutch-Brake Heavy Duty

Drawing I-25609

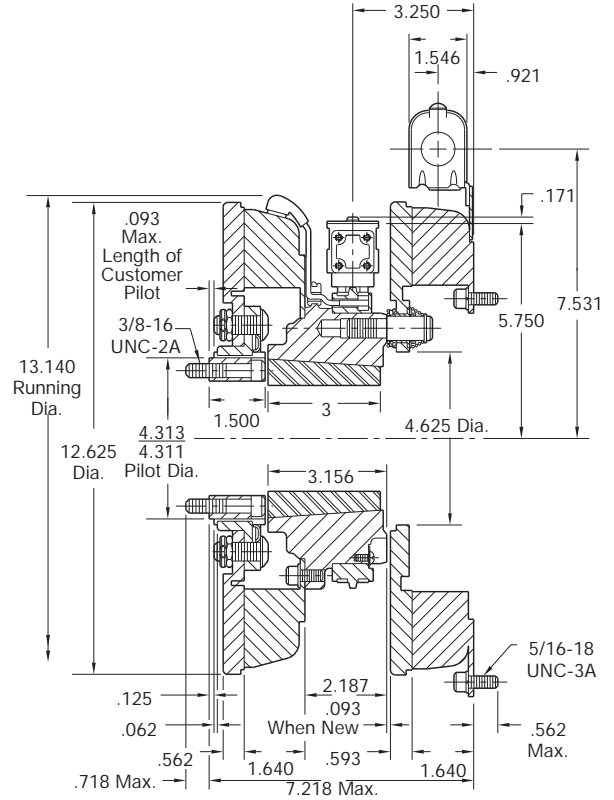
(.397/.388) dia. (8) holes (hub) equally spaced on (3.625) dia. and within .003 of true position in relative to (4.313/4.311) pilot dia.



Armature View



**Magnet View
(Inside & Outside Mounted)**



* Mounting holes are within .010 of true position relative to pilot diameter.

Customer Shall Maintain:

1. Concentricity of brake magnet mounting pilot diameter with mounting shaft within .010 T.I.R.
2. Squareness of brake magnet mounting face with magnet mounting shaft within .006 T.I.R.
3. Splined hub pilot diameter to be concentric with splined armature center of rotation within .010 T.I.R.
4. Mounting shaft to be concentric with splined armature center of rotation within .006 T.I.R.

Shaft Size	.937 – 3.000
Static Torque	465 lb. ft.
Maximum Speed	3,000 rpm
Standard Voltage	D.C. 6, 24, 90

All dimensions are nominal unless otherwise noted.



PCB-1225 Clutch-Brake Flange Mounted Per I-25609 Inside Mtd. Outside Mtd.

PCB-1225 H.D.			
Item	Description	Part Number	Qty.
1	Splined Hub	540-0148	1
2	Mounting Accessory	5202-101-001	3
3	Armature Assembly	5323-111-001	1
3-1	Armature	5323-111-034	1
3-2	Armature Adapter	104-0010	1
3-3	Autogap Spring	808-0044	1
3-4	Retainer Ring	748-0370	1
3-5	Buttonhead Screw	797-0281	4
3-6	Locknut	661-0005	4
4	Mounting Accessory	5321-101-001	1
5	Magnet		1
	6 Volt	5303-631-005	
	24 Volt	5303-631-007	
	90 Volt	5303-631-008	
5-1	Terminal Accessory	5311-101-001	1
6	Magnet Hub		1
	Right Hand	5303-541-002	
	Left Hand	5303-541-001	
6-1	Collector Ring	5301-749-001	1
6-2	Collector Ring Accessory	5301-101-004	1
7	Bushing*	180-0262 to 180-0295	1
8	Brushholder	5300-178-001	1
8-1	Brush	176-0001	4
9	Armature	5303-111-009	1
10	Autogap Accessory	5201-101-008	4
11A	Mounting Accessory		
	Inside Mounted	5321-101-001	1
11B	Mounting Accessory		
	Outside Mounted	5321-101-002	2
12A	Magnet - Inside Mounted		1
	6 Volt	5313-631-005	

PCB-1225 H.D.			
Item	Description	Part Number	Qty.
	24 Volt	5313-631-006	
	90 Volt	5313-631-007	
12A-1	Terminal Accessory	5311-101-001	
12B	Magnet - Outside Mounted		1
	6 Volt	5313-631-010	
	24 Volt	5313-631-012	
	90 Volt	5313-631-011	
12B-1	Terminal Accessory	5311-101-001	1
13	Conduit Box	5200-101-011	1

*See page 34 for specific part numbers.

How to Order:

1. Specify Voltage for Item 5 and Item 12A or 12B.
2. Specify left hand or right hand hub for Item 6.
Bushing enters from magnet side for L.H. hub and from hub side for R.H.
3. Specify Bore Size for Item 7.
4. Specify Inside Mounted for Items 11A and 12A or Outside Mounted for Items 11B and 12B.

Example:

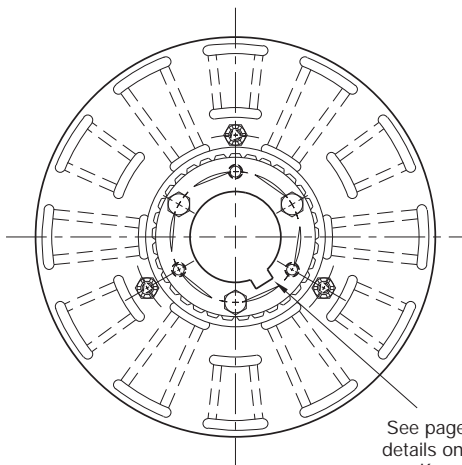
PCB-1225 Clutch Brake per I-25609 - 90 Volt, Left Hand hub, 2" Bore, Inside Mounted

These units meet the standards of UL508 and are listed under guide card #NMTR2, file #59164.

These units are CSA certified under file #LR11543.

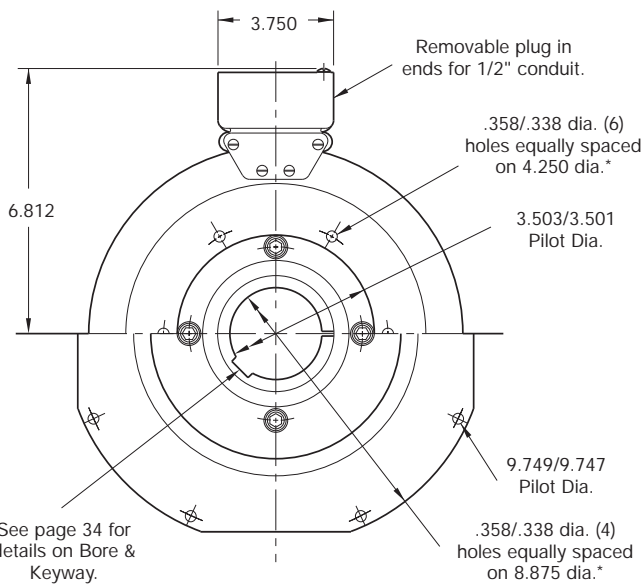
PCBC-825 Clutch-Brake Coupling

Drawing I-25570



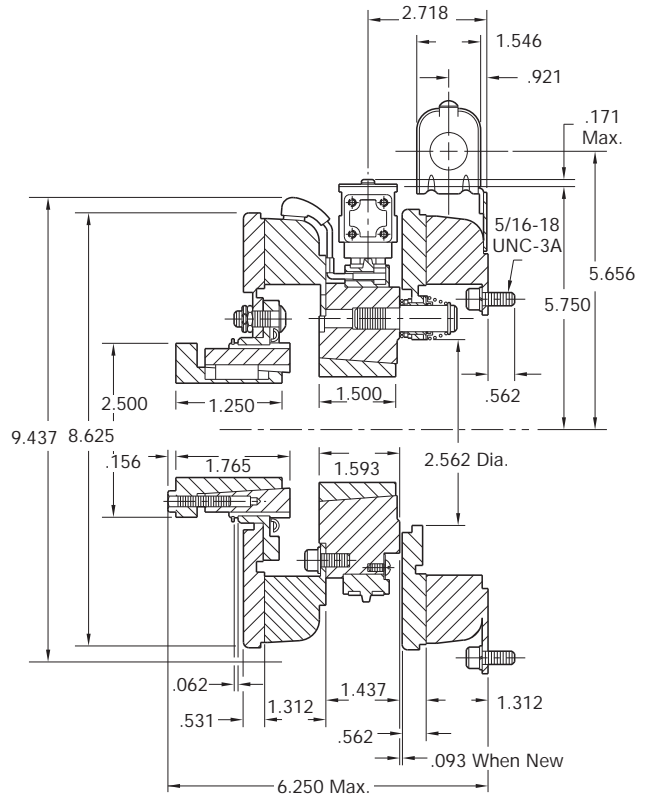
See page 34 for details on Bore & Keyway.

Armature View



See page 34 for details on Bore & Keyway.

**Magnet View
(Inside & Outside Mounted)**



* Mounting holes are within .010 of true position relative to pilot diameter.

Customer Shall Maintain:

1. Armature mounting shaft concentric with magnet mounting shaft within .006 T.I.R.
2. Squareness of brake magnet mounting face with magnet mounting shaft within .006 T.I.R.
3. Concentricity of brake magnet mounting pilot diameter with magnet mounting shaft within .010 T.I.R.

Armature Shaft	.500 – 1.500
Magnet Shaft	.500 – 1.625
Static Torque	125 lb. ft.
Maximum Speed	4,000 rpm
Standard Voltage	D.C. 6, 24, 90

All dimensions are nominal unless otherwise noted.

PCBC-825 Clutch-Brake Coupling Per I-25570 Inside Mtd. Outside Mtd.

		PCBC-825	
Item	Description	Part Number	Qty.
1	Bushing*		
	1/2" to 1-1/2" Bore	180-0002 to 180-0018	1
2	Retainer Ring	748-0006	1
3	Splined Hub	540-0057	1
4	Armature & Splined Adapter	5321-111-001	1
4-1	Locknut	661-0004	3
4-2	Armature	5321-111-022	1
4-3	Splined Adapter	104-0008	1
4-4	Autogap Accessory	5321-101-006	1
4-5	Screw	797-0272	3
5	Mounting Accessory	5321-101-001	1
6	Magnet		1
	6 Volt	5301-631-002	
	24 Volt	5301-631-004	
	90 Volt	5301-631-005	
6-1	Terminal Accessory	5311-101-001	1
7	Magnet Hub		1
	Left Hand	5301-541-001	
	Right Hand	5301-541-002	
7-1	Collector Ring	5301-749-001	1
7-2	Collector Ring Accessory	5301-101-002	1
8	Brushholder	5300-178-001	1
8-1	Brush	176-0001	4
9	Bushing*		
	1/2" to 1-5/8" Bore	180-0131 to 180-0149	1
10	Armature	5301-111-018	1
11	Autogap Accessory	5201-101-008	3
12A	Mounting Accessory - I.M.	5321-101-001	1
12B	Mounting Accessory - O.M.	5321-101-002	1
13A	Magnet - Inside Mounted		1
	6 Volt	5311-631-002	
	24 Volt	5311-631-003	
	90 Volt	5311-631-004	
13A-1	Terminal Accessory	5311-101-001	1

		PCBC-825	
Item	Description	Part Number	Qty.
13B	Magnet - Outside Mounted		1
	6 Volt	5311-631-007	
	24 Volt	5311-631-009	
	90 Volt	5311-631-008	
13B-1	Terminal Accessory	5311-101-001	1
14	Conduit Box	5200-101-011	1

*See page 34 for specific part numbers.

How to Order:

1. Specify Bore Size for Items 1 and 9.
2. Specify Voltage for Items 6 and 13.
3. Specify left hand or right hand hub for Item 7.
 Bushing enters from magnet side for L.H. hub and from hub side for R.H.
4. Specify Inside Mounted for Items 12A and 13A or Outside Mounted for Items 12B and 13B.

Example:

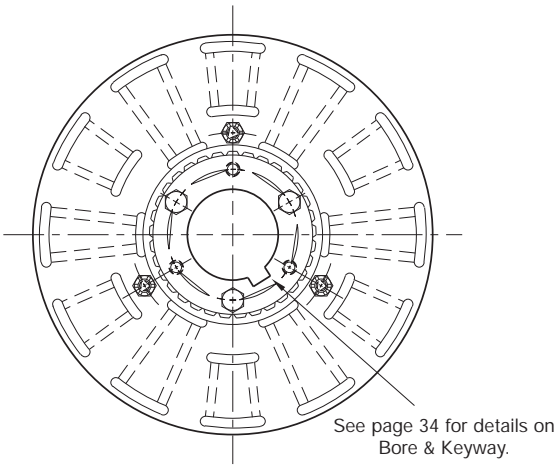
PCBC-825 Clutch Brake Coupling per I-25570 - 90 Volt, Inside Mounted, Left Hand hub, 1" Bore, (Items 1 and 9)

These units meet the standards of UL508 and are listed under guide card #NMTR2, file #59164.

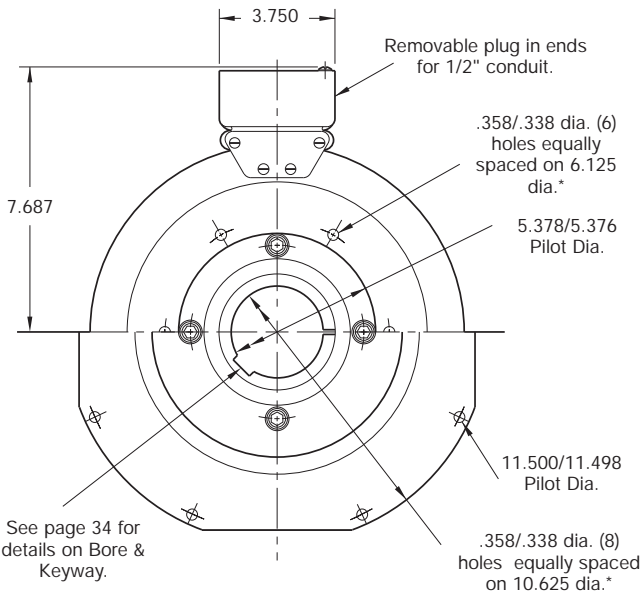
These units are CSA certified under file #LR11543.

PCBC-1000 Clutch-Brake Coupling

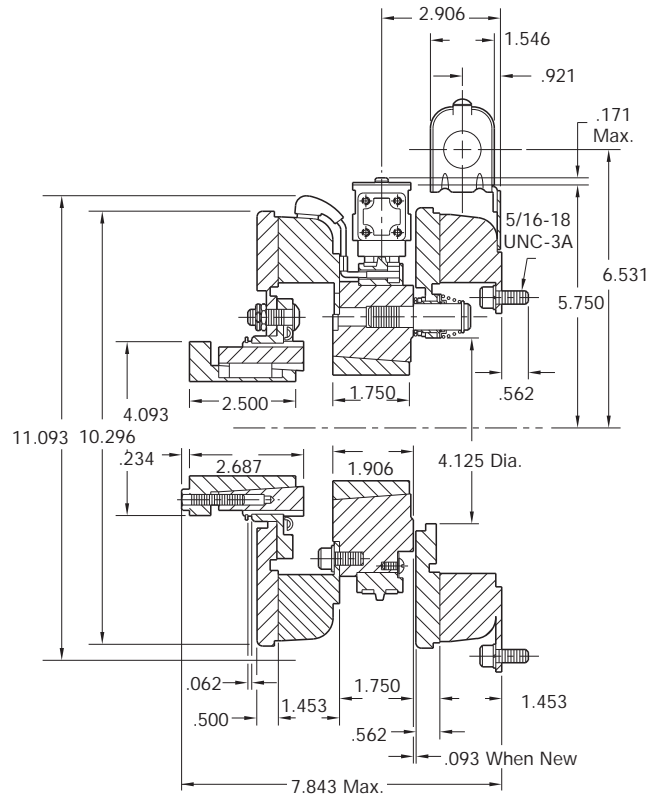
Drawing I-25590



Armature View



**Magnet View
(Inside & Outside Mounted)**



* Mounting holes are within .010 of true position relative to pilot diameter.

Customer Shall Maintain:

1. Armature mounting shaft concentric with magnet mounting shaft within .006 T.I.R.
2. Squareness of brake magnet mounting face with magnet mounting shaft within .006 T.I.R.
3. Concentricity of brake magnet mounting pilot diameter with magnet mounting shaft within .010 T.I.R.

Armature Shaft	.750 – 2.687
Magnet Shaft	.500 – 2.500
Static Torque	240 lb. ft.
Maximum Speed	3,600 rpm
Standard Voltage	D.C. 6, 24, 90

All dimensions are nominal unless otherwise noted.

PCBC -1000 Clutch-Brake Coupling Per I-25590 Inside Mtd. Outside Mtd.

Item	Description	PCBC-1000 Part Number	Qty.
1	Bushing*		
	3/4" to 2-11/16" Bore	180-0026 to 180-0057	1
2	Retainer Ring	748-0007	1
3	Splined Hub	540-0062	1
4	Armature & Splined Adapter	5322-111-002	1
4-1	Locknut	661-0004	3
4-2	Armature	5322-111-036	1
4-3	Splined Adapter	104-0009	1
4-4	Autogap Accessory	5322-101-004	1
4-5	Screw	797-0272	3
5	Mounting Accessory	5321-101-001	1
6	Magnet		1
	6 Volt	5302-631-003	
	24 Volt	5302-631-014	
	90 Volt	5302-631-005	
6-1	Terminal Accessory	5311-101-001	1
7	Magnet Hub		1
	Left Hand	5302-541-001	
	Right Hand	5302-541-002	
7-1	Collector Ring	5301-749-001	1
7-2	Collector Ring Accessory	5302-101-002	1
8	Brushholder	5300-178-001	1
8-1	Brush	176-0001	4
9	Bushing*		1
	1/2" to 2-1/2" Bore	180-0185 to 180-0217	
10	Armature	5302-111-013	1
11	Autogap Accessory	5201-101-008	3
12A	Mounting Accessory - I.M.	5321-101-001	1
12B	Mounting Accessory - O.M.	5321-101-002	2
13A	Magnet - Inside Mounted		1
	6 Volt	5312-631-004	
	24 Volt	5312-631-005	
	90 Volt	5312-631-006	

Item	Description	PCBC-1000 Part Number	Qty.
13A-1	Terminal Accessory	5311-101-001	1
13B	Magnet - Outside Mounted		1
	6 Volt	5312-631-011	
	24 Volt	5312-631-013	
	90 Volt	5312-631-012	
13B-1	Terminal Accessory	5311-101-001	1
14	Conduit Box	5200-101-011	1

*See page 34 for specific part numbers.

How to Order:

1. Specify Bore Size for Items 1 and 9.
2. Specify Voltage for Items 6 and 13.
3. Specify left hand or right hand hub for Item 7.
Bushing enters from magnet side for L.H. hub and from hub side for R.H.
4. Specify Inside Mounted for Items 12A and 13A or Outside Mounted for Items 12B and 13B.

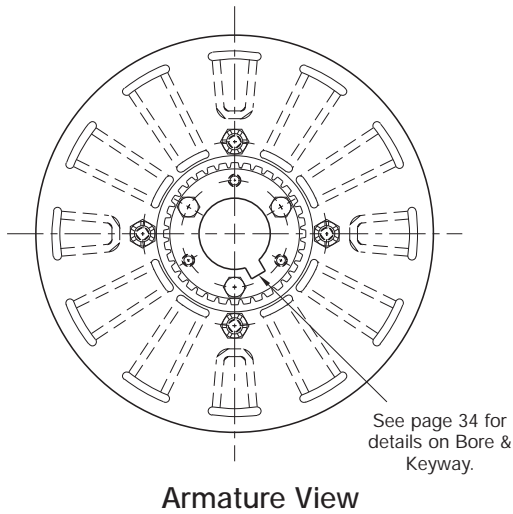
Example:

PCBC-1000 Clutch Brake Coupling per I-25590 - 90 Volt, Inside Mounted, Left Hand hub, 1-1/2" Bore, (Items 1 and 9).

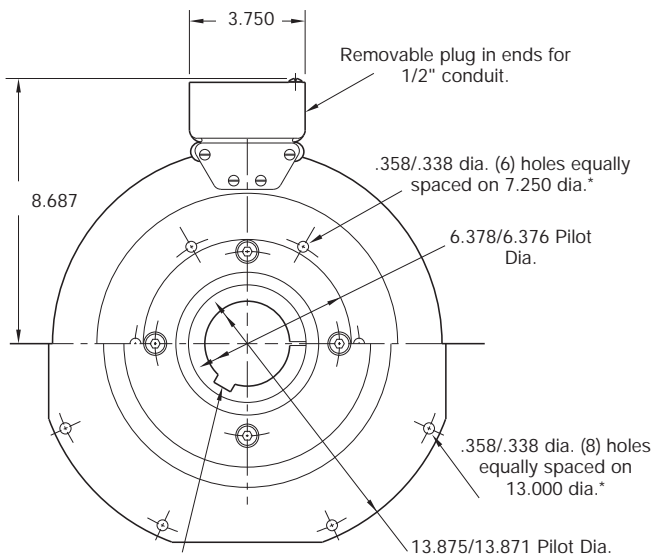
These units meet the standards of UL508 and are listed under guide card #NMTR2, file #59164. These units are CSA certified under file #LR11543.

PCBC-1225 Clutch-Brake Coupling

Drawing I-25612

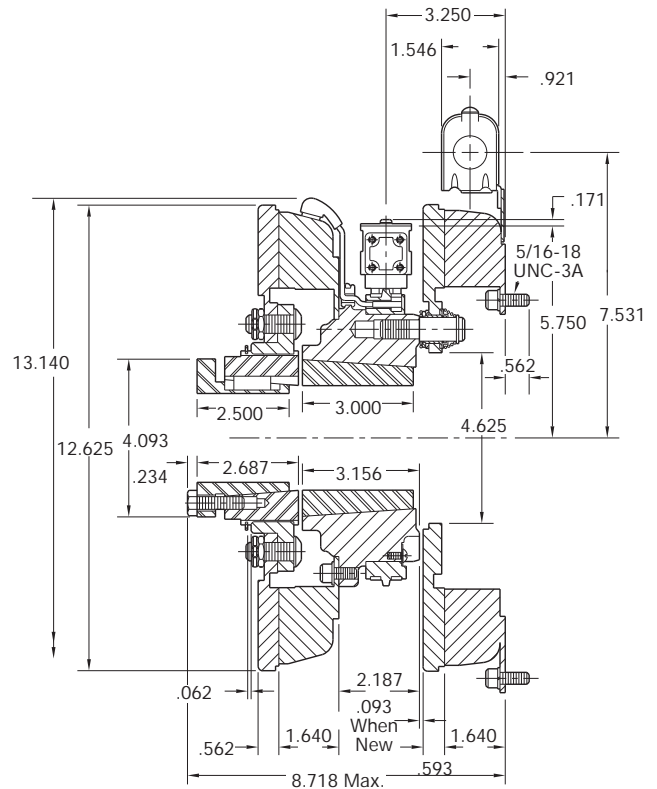


Armature View



See page 34 for details on Bore & Keyway.

**Magnet View
(Inside & Outside Mounted)**



*Mounting holes are within .010 of true position relative to pilot diameter.

Customer Shall Maintain:

1. Armature mounting shaft concentric with magnet mounting shaft within .006 T.I.R.
2. Squareness of brake magnet mounting face with magnet mounting shaft within .006 T.I.R.
3. Concentricity of brake magnet mounting pilot diameter with magnet mounting shaft within .010 T.I.R.

Armature Shaft	.750 – 2.687
Magnet Shaft	.937 – 3.000
Static Torque	465 lb. ft.
Maximum Speed	3,000 rpm
Standard Voltage	D.C. 6, 24, 90

All dimensions are nominal unless otherwise noted.



PCBC-1225 Clutch-Brake Coupling Per I-25612 Inside Mtd. Outside Mtd.

Item	Description	PCBC-1225 Part Number	Qty.
1	Bushing*		
	3/4" to 2-11/16" Bore	180-0026 to 180-0056	1
2	Retainer Ring	748-0005	1
3	Splined hub	540-0064	1
4	Armature & Splined Adapter	5323-111-001	1
4-1	Locknut	661-0005	4
4-2	Armature	5323-111-034	1
4-3	Splined Adapter	104-0010	1
4-4	Autogap Accessory	5323-101-002	1
4-5	Screw	797-0281	4
5	Mounting Accessory	5321-101-001	1
6	Magnet		1
	6 Volt	5303-631-005	
	24 Volt	5303-631-007	
	90 Volt	5303-631-008	
6-1	Terminal Accessory	5311-101-001	1
7	Magnet Hub		1
	Left Hand	5303-541-001	
	Right Hand	5303-541-002	
7-1	Collector Ring	5301-749-001	1
7-2	Collector Ring Assembly	5303-101-004	1
8	Brushholder	5300-178-001	1
8-1	Brush	176-0001	4
9	Bushing*		
	15/16" to 3" Bore	180-0262 to 180-0295	1
10	Armature	5303-111-009	1
11	Autogap Accessory	5201-101-008	4
12A	Mounting Accessory - I.M.	5321-101-001	1
12B	Mounting Accessory - O.M.	5321-101-002	2
13A	Magnet - Inside Mounted		1
	6 Volt	5313-631-005	
	24 Volt	5313-631-006	

Item	Description	PCBC-1225 Part Number	Qty.
	90 Volt	5313-631-007	
13A-1	Terminal Accessory	5311-101-001	1
13B	Magnet - Outside Mounted		1
	6 Volt	5313-631-010	
	24 Volt	5313-631-012	
	90 Volt	5313-631-011	
13B-1	Terminal Accessory	5311-101-001	1
14	Conduit Box	5200-101-011	1

*See page 34 for specific part numbers.

How to Order:

1. Specify Bore Size for Items 1 and 9.
2. Specify Voltage for Items 6 and 13.
3. Specify left hand or right hand hub for Item 7.
Bushing enters from magnet side for L.H. hub and from hub side for R.H.
4. Specify Inside Mounted for Items 12A and 13A or Outside Mounted for Items 12B and 13B.

Example:

PCBC-1225 Clutch Brake Coupling per I-25612 - 90 Volt, Inside Mounted Left Hand hub, 1-3/4" Bore (Items 1 and 9).

These units meet the standards of UL508 and are listed under guide card #NMTR2, file #59164.

These units are CSA certified under file #LR11543.

Bushing Part Numbers

Browning Bushing

Shaft Size	Keyway Size	Bushing Number	
		Warner Electric	Browning
1/2	1/8 x 1/16	180-0002	H-1
9/16	1/8 x 1/16	180-0003	
5/8	3/16 x 3/32	180-0004	
11/16	3/16 x 3/32	180-0005	
3/4	3/16 x 3/32	180-0006	
13/16	3/16 x 3/32	180-0007	
7/8	3/16 x 3/32	180-0008	
15/16	1/4 x 1/8	180-0009	
1	1/4 x 1/8	180-0010	
1-1/6	1/4 x 1/8	180-0011	
1-1/8	1/4 x 1/8	180-0012	
1-3/16	1/4 x 1/8	180-0013	
1-1/4	1/4 x 3/16	180-0014	
1-5/16	5/16 x 7/32	180-0015	
1-3/8	5/16 x 7/32	180-0016	
1-7/16	3/8 x 1/4	180-0017	H-2
1-1/2	3/8 x 7/32	180-0018	
3/4	1/2 x 3/8	180-0026	QI-1
13/16	1/2 x 3/8	180-0027	
7/8	1/2 x 3/8	180-0028	
15/16	1/2 x 3/8	180-0029	
1	1/2 x 3/8	180-0030	
1-1/16	1/2 x 3/8	180-0031	
1-1/8	1/2 x 3/8	180-0032	
1-3/16	1/2 x 3/8	180-0033	
1-1/4	1/2 x 3/8	180-0034	
1-5/16	1/2 x 3/8	180-0035	
1-3/8	1/2 x 3/8	180-0036	
1-7/16	1/2 x 3/8	180-0037	
1-1/2	1/2 x 3/8	180-0038	
1-9/16	1/2 x 3/8	180-0039	
1-5/8	1/2 x 3/8	180-0040	
1-11/16	1/2 x 3/8	180-0041	
1-3/4	1/2 x 3/8	180-0042	
1-13/16	1/2 x 3/8	180-0043	
1-7/8	1/2 x 3/8	180-0044	
1-15/16	1/2 x 3/8	180-0045	
2	1/2 x 3/8	180-0046	QI-2
2-1/16	1/2 x 3/8	180-0047	
2-1/8	1/2 x 3/4	180-0048	
2-3/16	1/2 x 23/32	180-0049	
2-1/4	1/2 x 11/16	180-0050	
2-5/16	5/8 x 5/16	180-0051	
2-3/8	5/8 x 5/16	180-0052	
2-7/16	5/8 x 5/16	180-0053	
2-1/2	5/8 x 5/16	180-0054	
2-9/16	5/8 x 5/16	180-0055	
2-5/8	5/8 x 5/16	180-0056	
2-11/16	5/8 x 5/16	180-0057	

Dodge Bushing

Shaft Size	Keyway Size	Bushing Number	
		Warner Electric	Dodge
1/2	1/8 x 1/16	180-0101	1210
9/16	1/8 x 1/16	180-0102	
5/8	3/16 x 3/32	180-0103	
11/16	3/16 x 3/32	180-0104	
3/4	3/16 x 3/32	180-0105	
13/16	3/16 x 3/32	180-0106	
7/8	3/16 x 3/32	180-0107	
5/16	1/4 x 1/8	180-0108	
1	1/4 x 1/8	180-0109	
1-1/16	1/4 x 1/8	180-0110	
1-1/8	1/4 x 1/8	180-0111	
1-3/16	1/4 x 1/8	180-0112	
1-1/4	1/4 x 1/8	180-0113	
1/2	1/8 x 1/16	180-0116	1215
9/16	1/8 x 1/16	180-0117	
5/8	3/16 x 3/32	180-0118	
11/16	3/16 x 3/32	180-0119	
3/4	3/16 x 3/32	180-0120	
13/16	3/16 x 3/32	180-0121	
7/8	3/16 x 3/32	180-0122	
15/16	1/4 x 1/8	180-0123	
1	1/4 x 1/8	180-0124	
1-1/16	1/4 x 1/8	180-0125	
1-1/8	1/4 x 1/8	180-0126	
1-3/16	1/4 x 1/8	180-0127	
1-1/4	1/4 x 1/8	180-0128	
1/2	1/8 x 1/16	180-0131	1615
9/16	1/8 x 1/16	180-0132	
5/8	3/16 x 3/32	180-0133	
11/16	3/16 x 3/32	180-0134	
3/4	3/16 x 3/32	180-0135	
13/16	3/16 x 3/32	180-0136	
7/8	3/16 x 3/32	180-0137	
15/16	1/4 x 1/8	180-0138	
1	1/4 x 1/8	180-0139	
1-1/16	1/4 x 1/8	180-0140	
1-1/8	1/4 x 1/8	180-0141	
1-3/16	1/4 x 1/8	180-0142	
1-1/4	1/4 x 1/8	180-0143	
1-5/16	5/16 x 5/32	180-0144	
1-3/8	5/16 x 5/32	180-0145	
1-7/16	3/8 x 3/16	180-0146	
1-1/2	3/8 x 3/16	180-0147	
1-9/16	3/8 x 3/16	180-0148	
1-5/8	3/8 x 3/16	180-0149	
1/2	1/8 x 1/16	180-0155	2012
9/16	1/8 x 1/16	180-0156	
5/8	3/16 x 3/32	180-0157	
11/16	3/16 x 3/32	180-0158	
3/4	3/16 x 3/32	180-0159	
13/16	3/16 x 3/32	180-0160	
7/8	3/16 x 3/32	180-0161	
15/16	1/4 x 1/8	180-0162	
1	1/4 x 1/8	180-0163	
1-1/16	1/4 x 1/8	180-0164	
1-1/8	1/4 x 1/8	180-0165	
1-3/16	1/4 x 1/8	180-0166	
1-1/4	1/4 x 1/8	180-0167	

Bushing Part Numbers

Dodge Bushing

Shaft Size	Keyway Size	Bushing Number		Shaft Size	Keyway Size	Bushing Number		
		Warner Electric	Dodge			Warner Electric	Dodge	
1-5/16	5/16 x 5/32	180-0168	2012	1-11/16	3/8 x 3/16	180-0235	3020	
1-3/8	5/16 x 5/32	180-0169						
1-7/16	3/8 x 3/16	180-0170						
1-1/12	3/8 x 3/16	180-0171						
1-9/16	3/8 x 3/16	180-0172						
1-5/8	3/8 x 3/16	180-0173						
1-11/16	3/8 x 3/16	180-0174						
1-3/4	3/8 x 3/16	180-0175						
1-13/16	1/2 x 1/4	180-0176						
1-7/8	1/2 x 1/4	180-0177						
1-15/16	1/2 x 1/4	180-0178						
2	1/2 x 1/4	180-0179						
1/2	1/8 x 1/16	180-0185		2517	2-1/16	1/2 x 1/4		180-0241
9/16	1/8 x 1/16	180-0186						
5/8	3/16 x 3/32	180-0187						
11/16	3/16 x 3/32	180-0188						
3/4	3/16 x 3/32	180-0189						
13/16	3/16 x 3/32	180-0190						
7/8	3/16 x 3/32	180-0191						
15/16	1/4 x 1/8	180-0192						
1	1/4 x 1/8	180-0193						
1-1/16	1/4 x 1/8	180-0194						
1-1/8	1/4 x 1/8	180-0195						
1-3/16	1/4 x 1/8	180-0196						
1-1/4	1/4 x 1/8	180-0197						
1-5/16	5/16 x 5/32	180-0198						
1-3/8	5/16 x 5/32	180-0199						
1-7/16	3/8 x 3/16	180-0200						
1-1/2	3/8 x 3/16	180-0201						
1-9/16	3/8 x 3/16	180-0202						
1-5/8	3/8 x 3/16	180-0203						
1-11/16	3/8 x 3/16	180-0204						
1-3/4	3/8 x 3/16	180-0205						
1-13/16	1/2 x 1/4	180-0206						
1-7/8	1/2 x 1/4	180-0207						
1-15/16	1/2 x 1/4	180-0208						
2	1/2 x 1/4	180-0209						
2-1/16	1/2 x 1/4	180-0210						
2-1/8	1/2 x 1/4	180-0211						
2-3/16	1/2 x 1/4	180-0212						
2-1/4	1/2 x 1/4	180-0213						
2-5/16	5/8 x 5/16	180-0214						
2-3/8	5/8 x 5/16	180-0215						
2-7/16	5/8 x 5/16	180-0216						
2-1/2	5/8 x 5/16	180-0217						
15/16	1/4 x 1/8	180-0223	3020	2-15/16	3/4 x 3/8	180-0255		
1	1/4 x 1/8	180-0224						
1-1/16	1/4 x 1/8	180-0225						
1-1/8	1/4 x 1/8	180-0226						
1-3/16	1/4 x 1/8	180-0227						
1-1/4	1/4 x 1/8	180-0228						
1-5/16	5/16 x 5/32	180-0229						
1-3/8	5/16 x 5/32	180-0230						
1-7/16	3/8 x 3/16	180-0231						
1-1/2	3/8 x 3/16	180-0232						
1-9/16	3/8 x 3/16	180-0233						
1-5/8	3/8 x 3/16	180-0234						
3	3/4 x 3/8	180-0295						
15/16	1/4 x 1/8	180-0262		3030	15/16	1/4 x 1/8	180-0262	
1	1/4 x 1/8	180-0263						
1-1/16	1/4 x 1/8	180-0264						
1-1/8	1/4 x 1/8	180-0265						
1-3/16	1/4 x 1/8	180-0266						
1-1/4	1/4 x 1/8	180-0267						
1-5/16	5/16 x 5/32	180-0268						
1-3/8	5/16 x 5/32	180-0269						
1-7/16	3/8 x 3/16	180-0270						
1-1/2	3/8 x 3/16	180-0271						
1-9/16	3/8 x 3/16	180-0272						
1-5/8	3/8 x 3/16	180-0273						
1-11/16	3/8 x 3/16	180-0274						
1-3/4	3/8 x 3/16	180-0275						
1-13/16	1/2 x 1/4	180-0276						
1-7/8	1/2 x 1/4	180-0277						
1-15/16	1/2 x 1/4	180-0278						
2	1/2 x 1/4	180-0279						
2-1/16	1/2 x 1/4	180-0280						
2-1/8	1/2 x 1/4	180-0281						
2-3/16	1/2 x 1/4	180-0282						
2-1/4	1/2 x 1/4	180-0283						
2-15/16	5/8 x 5/16	180-0284						
2-3/8	5/8 x 5/16	180-0285						
2-7/16	5/8 x 5/16	180-0286						
2-1/2	5/8 x 5/16	180-0287						
2-9/16	5/8 x 5/16	180-0288						
2-5/8	5/8 x 5/16	180-0289						
2-11/16	5/8 x 5/16	180-0290						
2-3/4	5/8 x 5/16	180-0291						
2-13/16	3/4 x 3/8	180-0292						
2-7/8	3/4 x 3/8	180-0293						
2-15/16	3/4 x 3/8	180-0294						

Warranty

Warner Electric LLC warrants that it will repair or replace (whichever it deems advisable) any product manufactured and sold by it which proves to be defective in material or workmanship within a period of one (1) year from the date of original purchase for consumer, commercial or industrial use.

This warranty extends only to the original purchaser and is not transferable or assignable without Warner Electric LLC's prior consent.

Warranty service can be obtained in the U.S.A. by returning any defective product, transportation charges prepaid, to the appropriate Warner Electric LLC factory. Additional warranty information may be obtained by writing the Customer Satisfaction Department, Warner Electric LLC, 449 Gardner Street, South Beloit, Illinois 61080, or by calling 815-389-3771.

A purchase receipt or other proof of original purchase will be required before warranty service is rendered. If found defective under the terms of this warranty, repair or replacement will be made, without charge, together with a refund for transportation costs. If found not to be defective, you will be notified and, with your consent, the item will be repaired or replaced and returned to you at your expense.

This warranty covers normal use and does not cover damage or defect which results from alteration, accident, neglect, or improper installation, operation, or maintenance.

Some states do not allow limitation on how long an implied warranty lasts, so the above limitation may not apply to you.

Warner Electric LLC's obligation under this warranty is limited to the repair or replacement of the defective product and in no event shall Warner Electric LLC be liable for consequential, indirect, or incidental damages of any kind incurred by reason of the manufacture, sale or use of any defective product. Warner Electric LLC neither assumes nor authorizes any other person to give any other warranty or to assume any other obligation or liability on its behalf.

WITH RESPECT TO CONSUMER USE OF THE PRODUCT, ANY IMPLIED WARRANTIES WHICH THE CONSUMER MAY HAVE ARE LIMITED IN DURATION TO ONE YEAR FROM THE DATE OF ORIGINAL CONSUMER PURCHASE. WITH RESPECT TO COMMERCIAL AND INDUSTRIAL USES OF THE PRODUCT, THE FOREGOING WARRANTY IS IN LIEU OF AND EXCLUDES ALL OTHER WARRANTIES, WHETHER EXPRESSED OR IMPLIED BY OPERATION OF LAW OR OTHERWISE, INCLUDING, BUT NOT LIMITED TO, ANY IMPLIED WARRANTIES OF MERCHANTABILITY OR FITNESS.

Some states do not allow the exclusion or limitation of incidental or consequential damages, so the above limitation or exclusion may not apply to you. This warranty gives you specific legal rights and you may also have other rights which vary from state to state.

Changes in Dimensions and Specifications

All dimensions and specifications shown in Warner Electric catalogs are subject to change without notice. Weights do not include weight of boxing for shipment. Certified prints will be furnished without charge on request to Warner Electric.



Warner Electric LLC
449 Gardner Street • South Beloit, IL 61080
815-389-3771 • Fax: 815-389-2582
www.warnerelectric.com